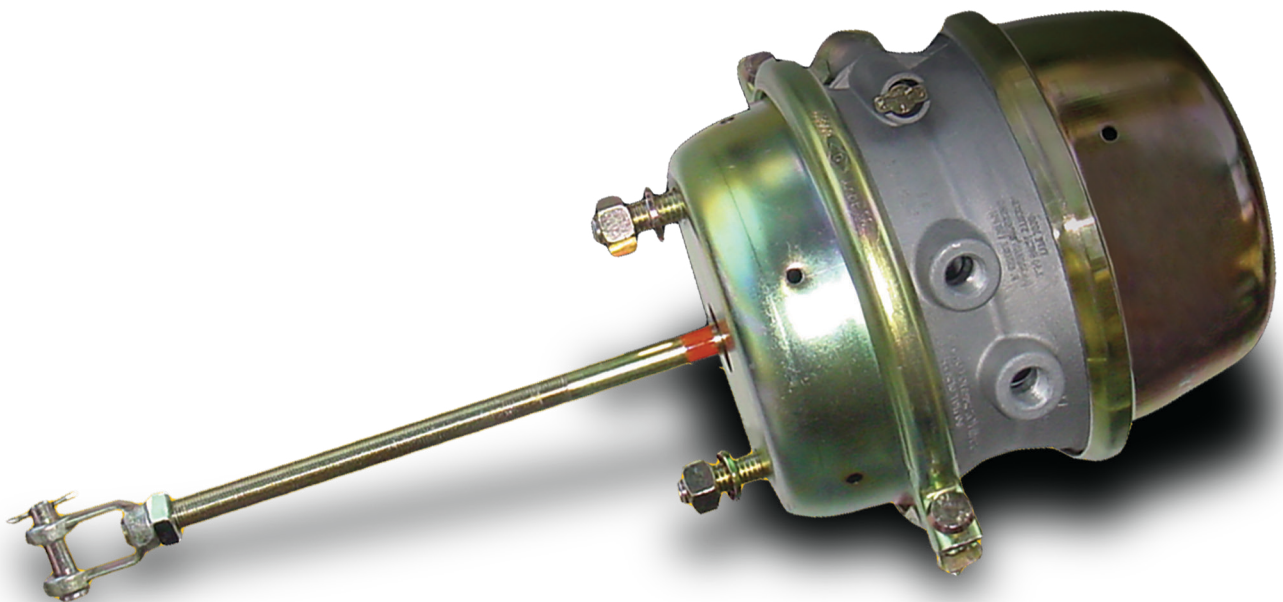




ALLIANCE
TRUCK PARTS

SPRING BRAKES & CHAMBERS

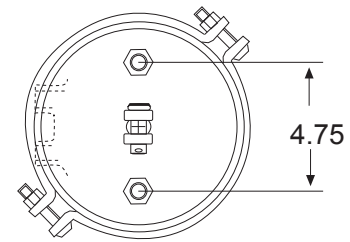
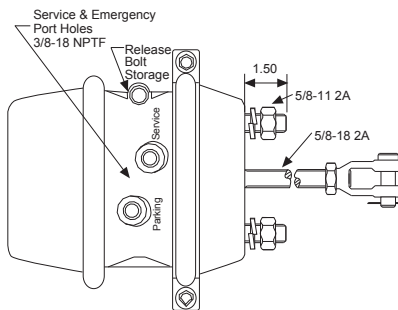


FEATURES & BENEFITS

Alliance brake chambers are designed to provide years of safe, dependable operation for service, parking or emergency braking applications. These spring brakes and service chambers feature rugged construction, heavy-gauge housings and steel components to reduce corrosion and potential equipment failure.

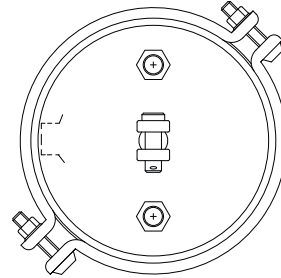
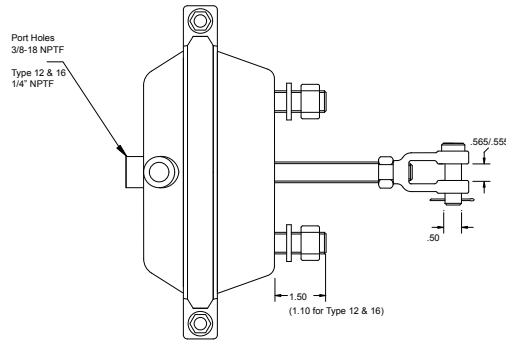
- Treated and coated for corrosion protection, dramatically extending life
- Guided spring pressure plate prevents side forces which cause diaphragm sidewall and seal wear
- Special crimping method ensures a no-guess diaphragm seal and allows for a low profile without clamp interference
- Steel internal rod and slotted center seal design improves alignment of moving parts and prevents premature seal wear
- Synthetic blended rubber diaphragms for superior resistance against abrasion and fatigue cracking

SPRING BRAKES SPECIFICATIONS



| ALLIANCE P/N | SIZE | STROKE | CLEVIS |
|-------------------|------|--------|----------|
| QABP N42A12024CD | 2024 | 2.5" | Threaded |
| QABP N42A12424CD | 2424 | 2.5" | Threaded |
| QABP N42A12430CD | 2430 | 2.5" | Threaded |
| QABP N42A23030CD | 3030 | 2.5" | Threaded |
| QABP N42A23030C3D | 3030 | 3" | Threaded |
| QABP N42A13036CD | 3036 | 2.5" | Threaded |
| QABP N42A13636CD | 3636 | 3" | Threaded |

SERVICE CHAMBERS SPECIFICATIONS



| ALLIANCE P/N | SIZE | STROKE | CLEVIS |
|-----------------|------|--------|----------|
| QABP N42A12SCD | 12 | 1.75" | Threaded |
| QABP N42A16SCD | 16 | 2.25" | Threaded |
| QABP N42A20SCD | 20 | 2.5" | Threaded |
| QABP N42A24SCD | 24 | 2.5" | Threaded |
| QABP N42A24SC3D | 24 | 3" | Threaded |
| QABP N42A30SCD | 30 | 2.5" | Threaded |

COMPONENTS



| ALLIANCE P/N | DESCRIPTION |
|------------------|--|
| QABP N42AD12000D | Diaphragm - T12 - 1.75" Stroke |
| QABP N42AD16000D | Diaphragm - T16 - 2.25" Stroke |
| QABP N42AD20000D | Diaphragm - T20 - 2.25" Stroke |
| QABP N42AD24000D | Diaphragm - T24 - 2.25" Stroke |
| QABP N42AD24002D | Diaphragm - T24 - 2.5" Stroke |
| QABP N42AD30000D | Diaphragm - T30 - 2.5" Stroke |
| QABP N42AD30003D | Diaphragm - T30 - 3" Stroke |
| QABP N42A10025A | Release Tool Assembly |
| QABP N42A10026BD | Clevis Assembly Thread = 5/8" Pin = 5/8" |
| QABP N42A10026AD | Clevis Assembly Thread = 5/8" Pin = 1/2" |

MAINTENANCE

Because no two vehicles operate under identical conditions, maintenance intervals will vary. Experience is a valuable guide in determining the best maintenance interval for a vehicle.

WARNING!

Spring Brake Chambers and Piggyback Spring Brake chambers contain a loaded compression spring.

Property damage, serious injury or death may occur if instructions are not followed completely.

WARRANTY

Alliance Truck Parts are backed by a 1-year/unlimited kilometre standard warranty.



— FIND YOUR NEAREST LOCATION AT ALLIANCETRUCKPARTS.COM.AU —



Mercedes-Benz is a registered trademark of Daimler AG, Stuttgart Germany. Fuso is a registered trademark of Mitsubishi Fuso Truck and Bus Corporation, Japan. Freightliner and Alliance Truck Parts are registered trademarks of Daimler Trucks North America LCC, a Daimler company, distributed by Daimler Truck and Bus Australia Pacific Pty Ltd. ABN 86 618 413 282. Specifications are subject to change without notice. Copyright © Daimler Truck and Bus Australia Pacific Pty Ltd. All rights reserved.