



ALLIANCE
TRUCK PARTS

LED LIGHTING





MAKE US A PART OF T

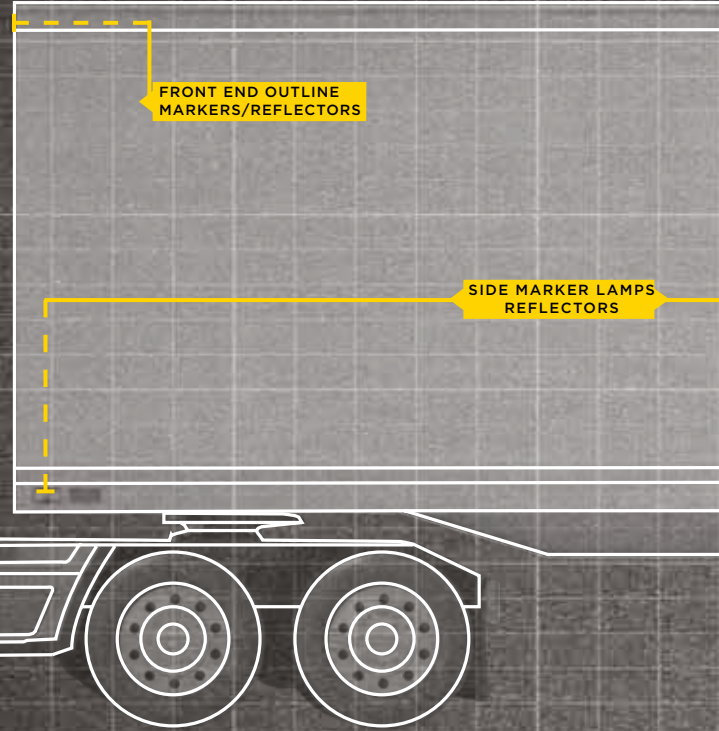
LED STROBE BEACONS



FRONT END OUTLINE MARKERS/REFLECTORS

SIDE MARKER LAMPS REFLECTORS

SIDE MARKER LAMPS

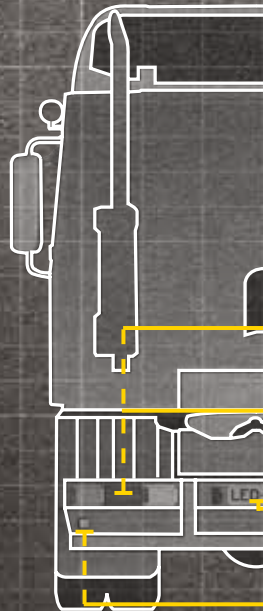


AMBER FRONT OUTLINE MARKERS

HEAD LIGHTS


DRIVING LIGHTS

DRL/INDICATORS

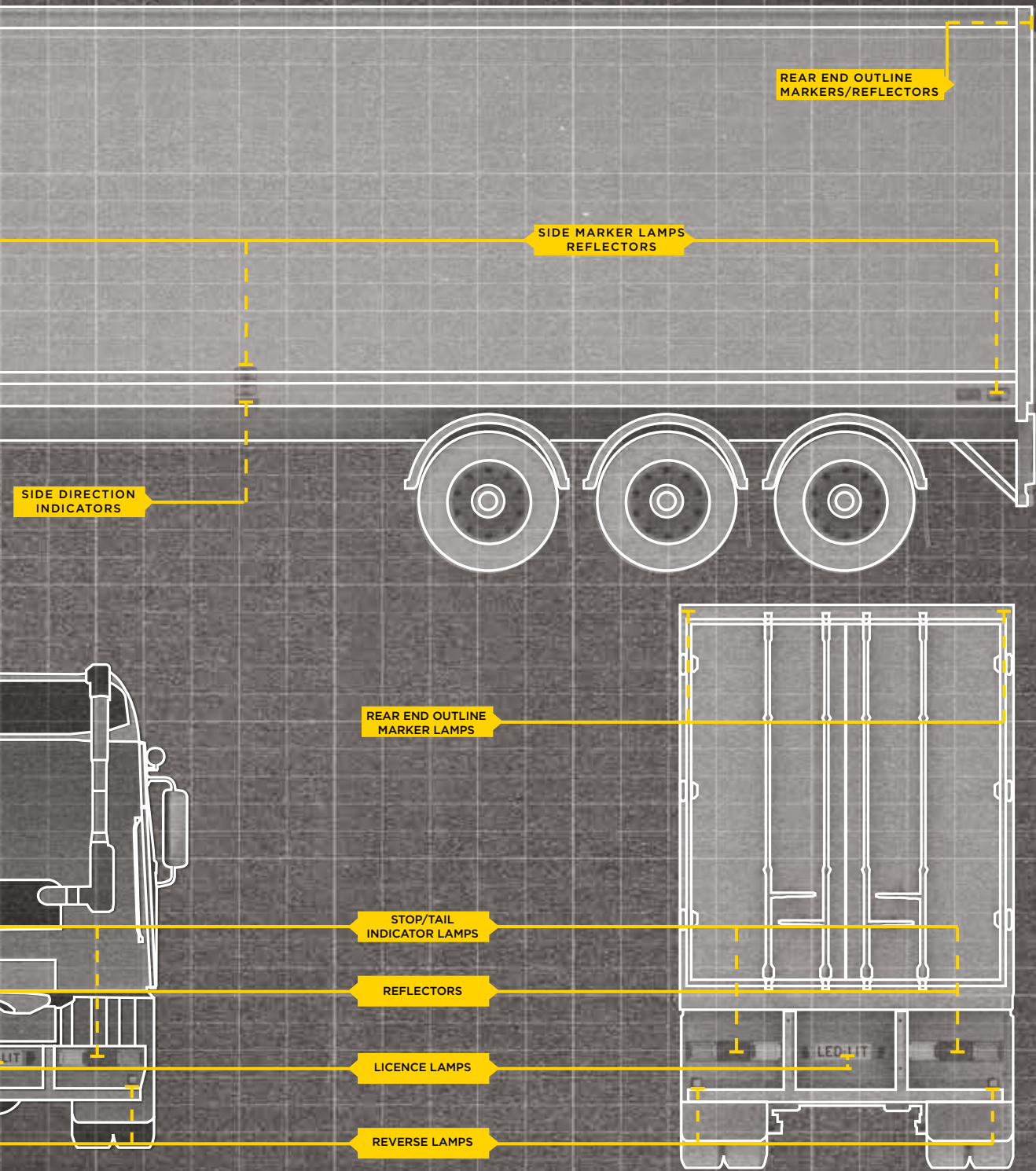


INTRODUCING OUR LED LIGHTING FOR HEAVY DUTY TRUCKS AND TRAILERS

Alliance Truck Parts supplies a reliable range of new and remanufactured all-makes parts and accessories to some of the best, most respected brands in the transport industry, offering an affordable alternative to original first quality parts. Alliance Branded Parts: Dependable, Affordable and Available.

 www.alliancetruckparts.com.au

THE PLAN with LED LIGHTING



Dependable, Affordable, Available

ensure trucks and trailers remain where they should be, on the road. Alliance Truck Parts partners with some of the best fit parts, representing great value for money without compromising quality.

 facebook.com/alliancetruckpartsaustralia

is a brand of Daimler Trucks North America LLC, a Daimler company. *See warranty for complete details and limitations.

DAIMLER | Alliance Truck Parts - A Daimler Group Brand

A range of high performance, reliable LED lighting products made to suit small, medium and large vehicle and trailers. Each product has been specially designed to suit harsh Australian road environments to create a reliable product at a competitive price, allowing you to hit the road with confidence.

- Original unique product design
- Used in harsh industries including transport, 4x4, marine trailer and Australian defence forces
- Quality LEDs and associated components
- Products manufactured to exceed ADR/ECE standards
- IP67 dust and waterproof on all external automotive applications

What is ADR and ECE?

The Australian Design Rules (ADRs) are national standards for vehicle safety, anti-theft and emissions. The ADRs are generally performance based and cover issues such as occupant protection, structures, lighting, noise, engine exhaust emissions, braking and a range of miscellaneous items. They are largely based on and actively harmonised with the United Nations Economic Commission for Europe (ECE) regulations declared by the World Forum for Harmonization of Vehicle Regulations.

The ADRs use only the technical requirements of the ECE Regulations; the ECE system of type approval is not used. Instead, the ADRs are administered according to a self-certification system manufacturers do not seek government-sanctioned testing or approval; rather, they certify that their vehicles and regulated vehicle components comply with all applicable provisions of all applicable ADRs in effect on the date of manufacture. Both ADR and ECE approvals are legal for road use in Australia.

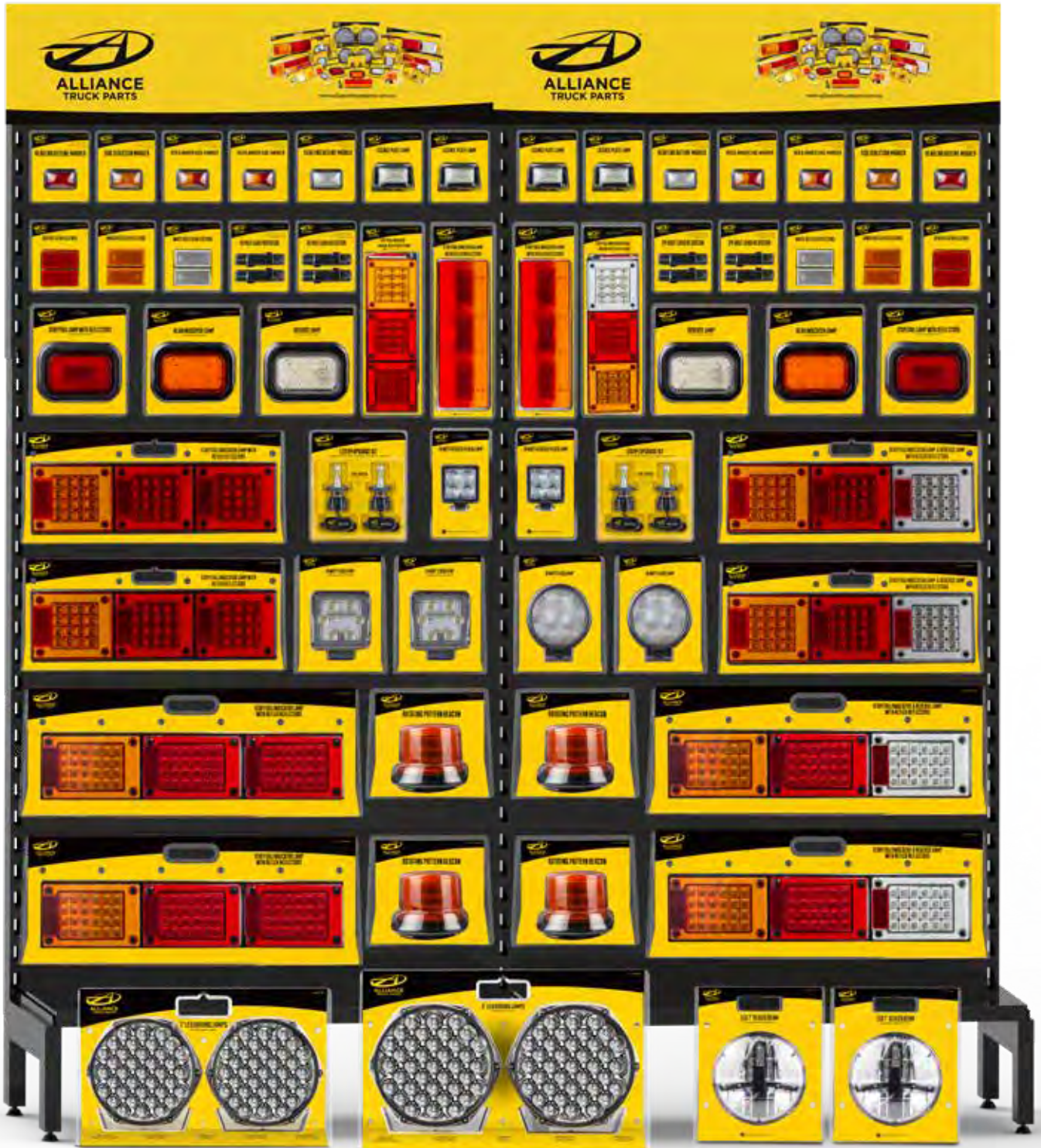
For more information regarding ADR, visit the Australian Department of Infrastructure and Regional Development website. For correct mounting instructions, visit the Australian Legislation website under ADR 13/00 - Installation of Lighting and Light Signalling Devices.



1	MERCHANDISING	
	Instore Displays.....	3
2	LED LIGHTING	
	7" Sealed Beam LED Headlight.....	4
	Driving Lamps.....	5
	LED Headlight Globe.....	7
	Reverse/Flood.....	8
	Worklamps.....	9
	Markers.....	11
	Rear Lighting.....	15
	Licence Plate Lamp.....	25
	Reflex Reflectors.....	26
	Resistors.....	29
	Warning Beacon.....	31
3	WARRANTY	
	Details.....	32

ALLIANCE LED LIGHTING INSTORE DISPLAY

1
INSTORE DISPLAYS



Call 1800 033 557 or visit our website www.alliancetruckparts.com.au

7" SEALED BEAM LED HEADLIGHT UPGRADE

FEATURES

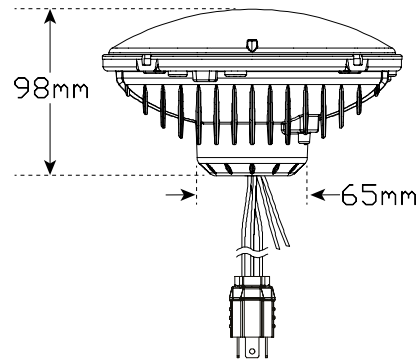
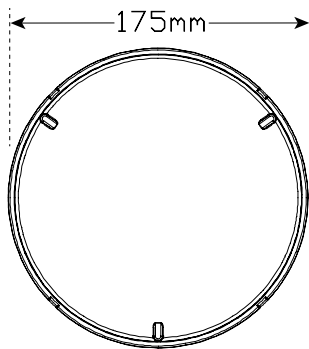
- High brightness sealed beam conversion/upgrade
- High Beam 1x17W LED 1422lm
- Low Beam 4 x 3W LEDs 940lm
- Park Lamp 2 x SMD
- Robust die cast alloy design
- IP67 dust & water proof
- Colour Temp 5300K-6500K
- ECE approved



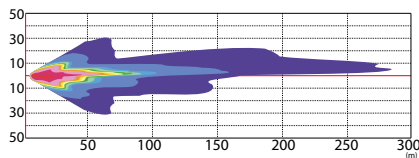
Part Number:
QABP MC175 - Single Blister



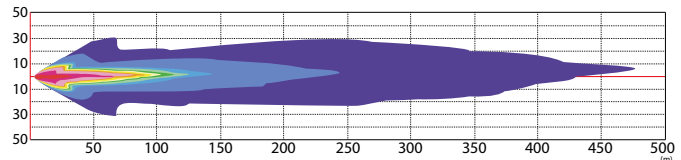
SPECIFICATIONS



Road Legal Low Beam



Road Legal High Beam



Function	LED Headlamp	
Size	175mm Round x 98mm	
Voltage	Multivolt 10-32V	
LED Qty	1x17w Low Beam, 4x3w High Beam, 2 x SMD Park	
Lumen	Low Beam - 940lm, High Beam - 1422lm	
Cable	120mm with H4 Plug	
Draw	Low	High
@13.8V	1.28A	2.23A
@28V	0.56A	1.00A
Lens	Polycarbonate	
Base	Die Cast Alloy	
Approvals	Function	Approval No.
ECE	High/Low	E6-112R-010658
ECE	Front Position	E6-7R-020658

Fitting Instructions

Retro fit to existing globe type
7" Sealed Beam Headlamps

7" DRIVING LAMP

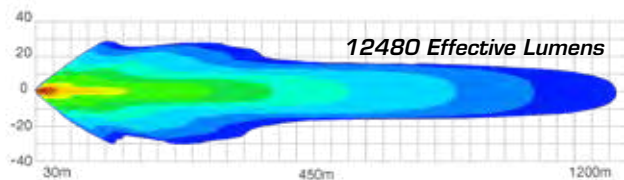
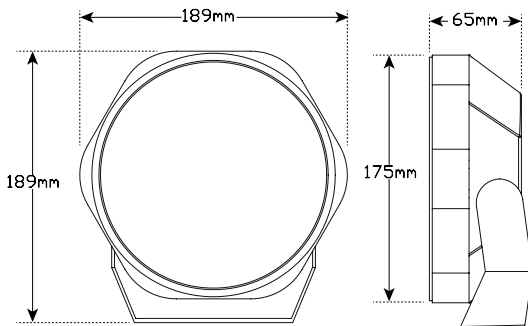
FEATURES

- Focused optics for each LED
- Magnifying light intensity
- No light loss through reflectors
- Heavy duty vibration resistant



Part Number:
QABP TIR7 - Twin Blister

SPECIFICATIONS



Function	Driving Lamps/Park Light
Size	189mm x 175mm x 65mm
Voltage	Multivolt 9-32V
LED Qty	32 LEDs + 4 Park Light LEDs
Lumen	12,480 Effective, 25,200 Raw
Cable	40cm cable with plug
Draw	
@13.8V	8.7A
Lens	PMMA
Base	Aluminium
Approvals	Function
IP68	Water/Dust Proof

Fitting Instructions

Fix to mounting surface using stainless steel bolts and adjustable stainless steel bracket supplied.

9" DRIVING LAMP

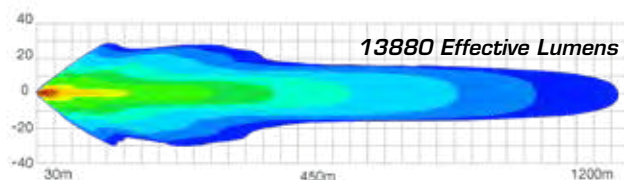
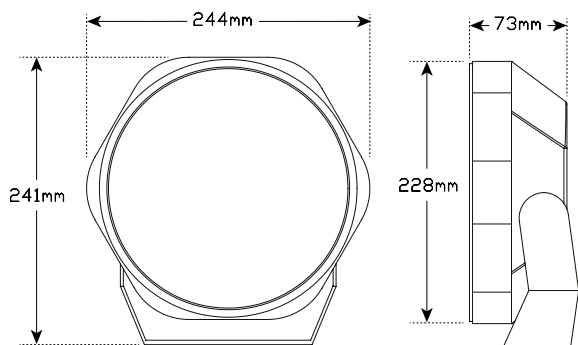
FEATURES

- Focused optics for each LED
- Magnifying light intensity
- No light loss through reflectors
- Heavy duty vibration resistant



Part Number:
QABP TIR9 - Twin Blister

SPECIFICATIONS



Function	Driving Lamps/Park Light
Size	244mm x 228mm x 73mm
Voltage	Multivolt 9-32V
LED Qty	37 LEDs + 8 Park Light LEDs
Lumen	13,880 Effective, 27,800 Raw
Cable	40cm cable with plug
Draw	
@13.8V	11.2A
Lens	PMMA
Base	Aluminium
Approvals	Function
IP68	Water/Dust Proof

Fitting Instructions

Fix to mounting surface using stainless steel bolts and adjustable stainless steel bracket supplied.

H4 LED HEADLIGHT UPGRADE KIT

FEATURES

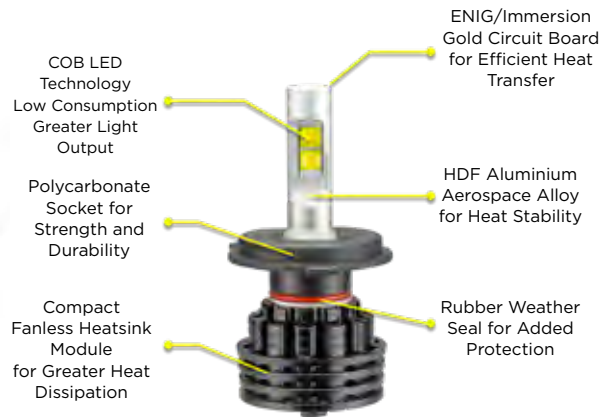
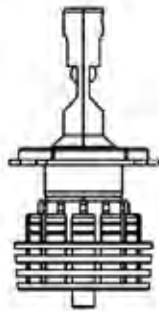
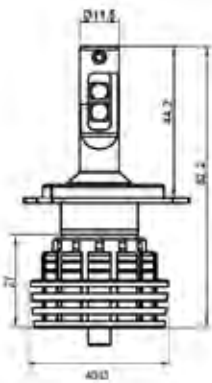
- High and Low Beam Headlight
- Exceptionally clean white light
- 5,000 total effective lumen
- 10,000 total raw lumens.
- Energy saving high brightness LEDs.
- LED Life Span 30,000 Hours
- Colour Temp 6500K
- Easy installation with H4 plug



Part Number:
QABP H45000LM - Twin Blister



SPECIFICATIONS



Function	High/Low Beam Headlight
Size	82mm x 40mm Round
Voltage	Multivolt 9-32V
LEDs	COB
Lumen	5000 Total Effective
Colour Temp	6500K
Cable	150mm H4 Plug/Driver
Draw	
@13.8V	1.6A
Housing	Heavy Duty Aluminium
Approvals	Function
IP67	Water/Proof

Note:

Original manufacturers rubber or plastic lamp dust covers may need to be modified or adjusted to accommodate these lamps. These Headlights are designed for off road use only. Not compatible with canbus fitted systems.

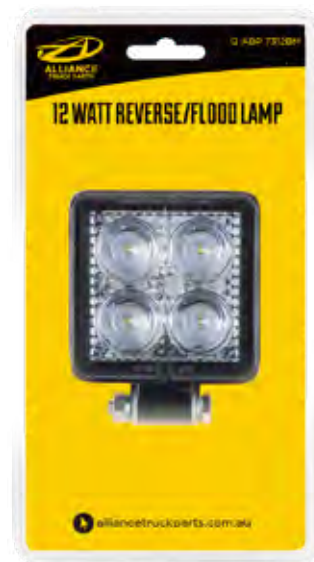
ECE APPROVED REVERSE/FLOOD LAMP

FEATURES

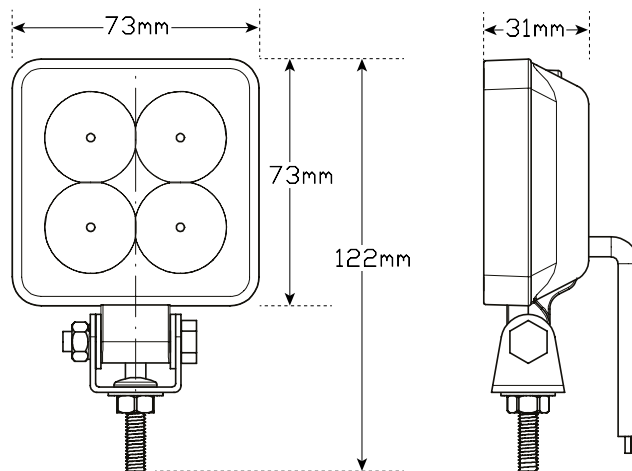
- Heavy duty compact design
- High brightness 4x3 watt LEDs
- IP67 dust & water proof
- Stainless steel fittings
- ECE approved for reverse



Part Number:
QABP 7312BM - Single Blister



SPECIFICATIONS



Function	12 watt Flood/Reverse Lamp
Size	73mm x 73mm x 31mm
Voltage	Multivolt 9-32V
LED Qty	4 x 3 Watt
Lumen	Raw 660/Effective 489
Cable	30cm cable

Draw	
@13.8V	0.59A
@28V	0.27A
Lens	Polycarbonate
Base	Die Cast Alloy

Approvals	Function	Approval No.
ECE	Reverse	AR-E9-00.1039

Fitting Instructions

Fix to mounting surface using stainless steel bolts and adjustable stainless steel bracket supplied.

SQUARE WORK LAMP

FEATURES

- Heavy duty
- High light output
- 1080 effective lumen
- Flood beam
- IP67 dust & water proof
- Stainless steel fittings
- Die-Cast alloy housing

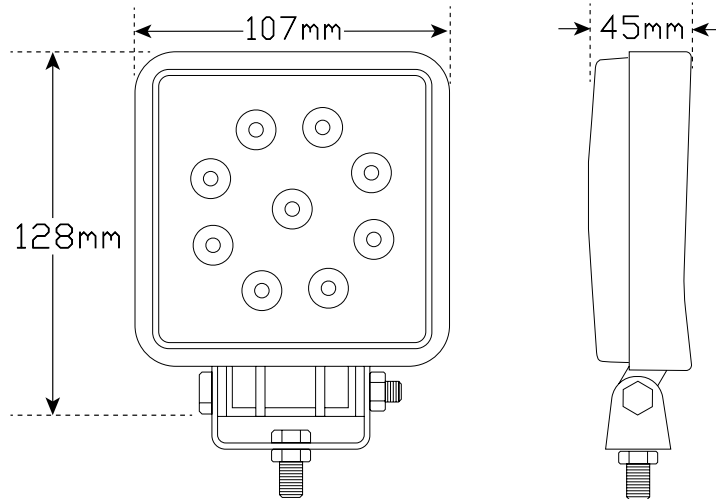


Active

Part Number:
QABP 11518FBM - Blister Single



SPECIFICATIONS



Function	27 watt Flood Lamp
Size	107mm x 128mm x 45mm
Voltage	Multivolt 9-32V
LED Qty	9 x 3 watt
Lumen	Raw 1170/Effective 1080
Lux@1m	2837
Cable	23cm cable
Draw	
@13.8V	1.10A
@28V	0.53A
Lens	Polycarbonate
Base	Die Cast Alloy
Approvals	Function
IP67	Water/Proof

Fitting Instructions

Fix to mounting surface using stainless steel bolts and adjustable stainless steel bracket supplied.

ROUND WORK LAMP

FEATURES

- Heavy duty
- High light output
- 1080 effective lumen
- Flood beam
- IP67 dust & water proof
- Stainless steel fittings
- Die-Cast alloy housing

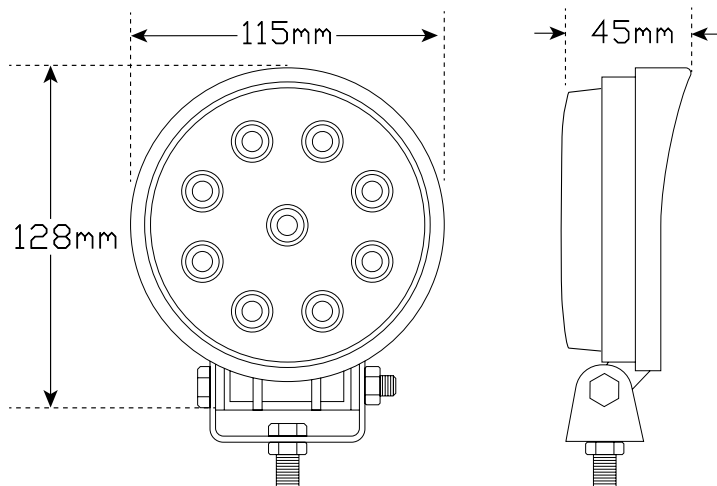


Active

Part Number:
QABP 11618FBM - Blister Single



SPECIFICATIONS



Function	27 watt Flood Lamp
Size	115mm x 128mm x 45mm
Voltage	Multivolt 9-32V
LED Qty	9 x 3 watt
Lumen	Raw 1170/Effective 1080
Lux@1m	2837
Cable	23cm cable

Draw	
@13.8V	1.10A
@28V	0.53A
Lens	Polycarbonate
Base	Die Cast Alloy

Approvals	Function
IP67	Water/Proof

Fitting Instructions

Fix to mounting surface using stainless steel bolts and adjustable stainless steel bracket supplied.

REAR END OUTLINE MARKER

FEATURES

- New lens design
- Compact low profile design
- Clip in replaceable lens
- IP67 dust & water proof
- ADR approved

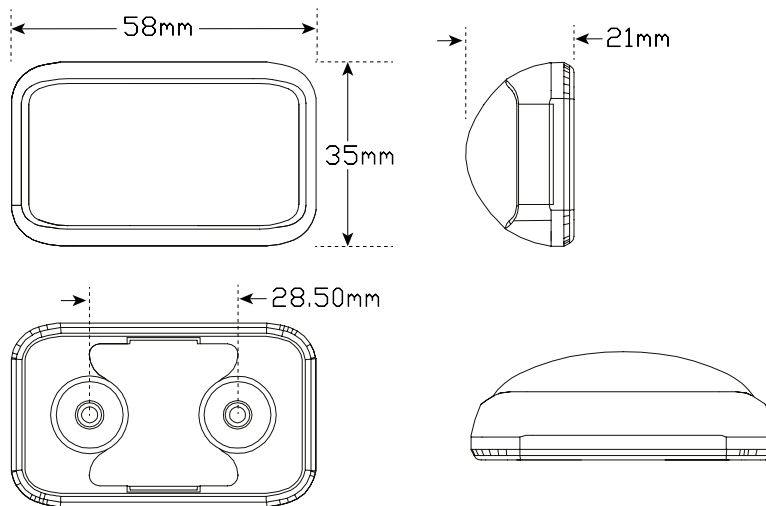


Active

Part Number:
QABP 58RM - Blister Single



SPECIFICATIONS



Function	Rear End Outline Marker
Size	58mm x 35mm x 21mm
Voltage	Multivolt 12-24V
LED Qty	2
Cable	40cm cable
Draw	@13.8V @28V 0.12A 0.04A

Fitting Instructions
Horizontally mount bracket onto flat surface with screws provided, run wires through back and clip lens into place. Please refer to ADR 13/00 for mounting instructions.

Approvals	Function	Category	CRN
ADR	Rear end	49/00	36840

SIDE DIRECTION INDICATOR

FEATURES

- New lens design
- Compact low profile design
- Clip in replaceable lens
- IP67 dust & water proof
- ADR approved

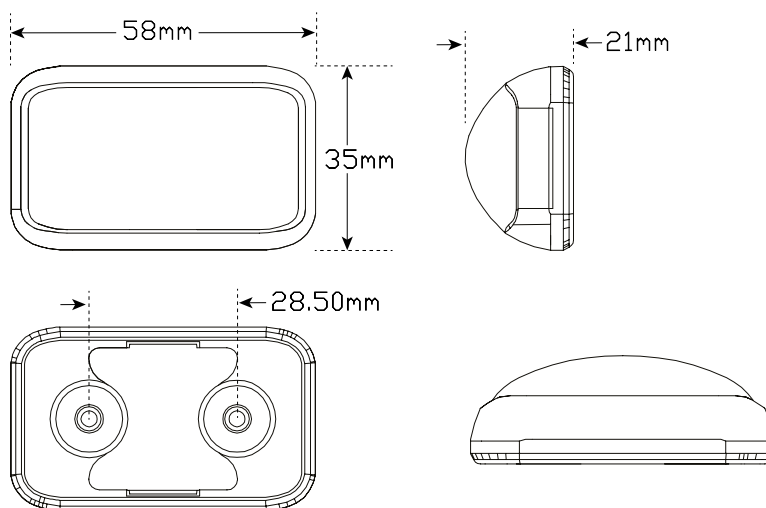


Active

Part Number:
QABP 58AM - Blister Single



SPECIFICATIONS



Function	Side Direction Indicator
Size	58mm x 35mm x 21mm
Voltage	Multivolt 12-24V
LED Qty	3
Cable	40cm cable
Draw	@13.8V @28V 0.10A 0.04A

Approvals	Function	Category	CRN
ADR	Marker	6/00/5	38277

Fitting Instructions

Horizontally mount bracket onto flat surface with screws provided, run wires through back and clip lens into place. Please refer to ADR 13/00 for mounting instructions.

FRONT END OUTLINE MARKER

FEATURES

- New lens design
- Compact low profile design
- Clip in replaceable lens
- IP67 dust & water proof
- ADR approved

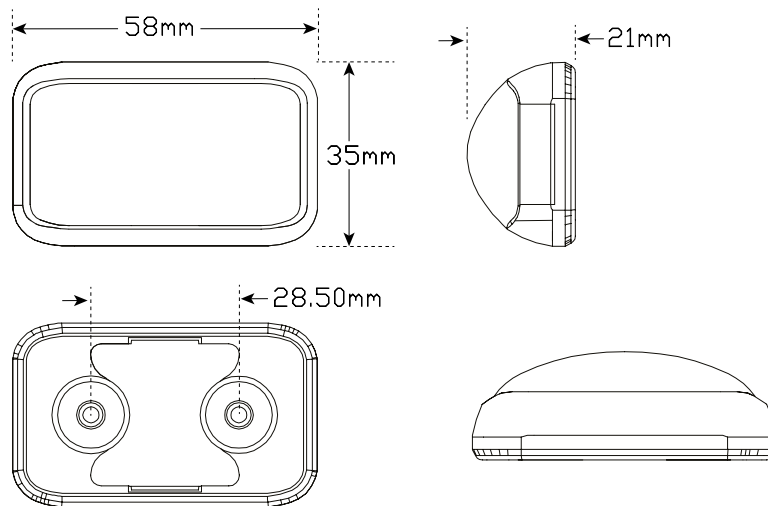


Active

Part Number:
QABP 58WM - Blister Single



SPECIFICATIONS



Function	Front End Outline Marker
Size	58mm x 35mm x 21mm
Voltage	Multivolt 12-24V
LED Qty	2
Cable	40cm cable
Draw	@13.8V @28V 0.05A 0.03A

Approvals	Function	Category	CRN
ADR	Front	49/00	36842

Fitting Instructions

Horizontally mount bracket onto flat surface with screws provided, run wires through back and clip lens into place. Please refer to ADR 13/00 for mounting instructions.

RED & AMBER SIDE MARKER

FEATURES

- New lens design
- Compact low profile design
- Clip in replaceable lens
- IP67 dust & water proof
- ADR approved

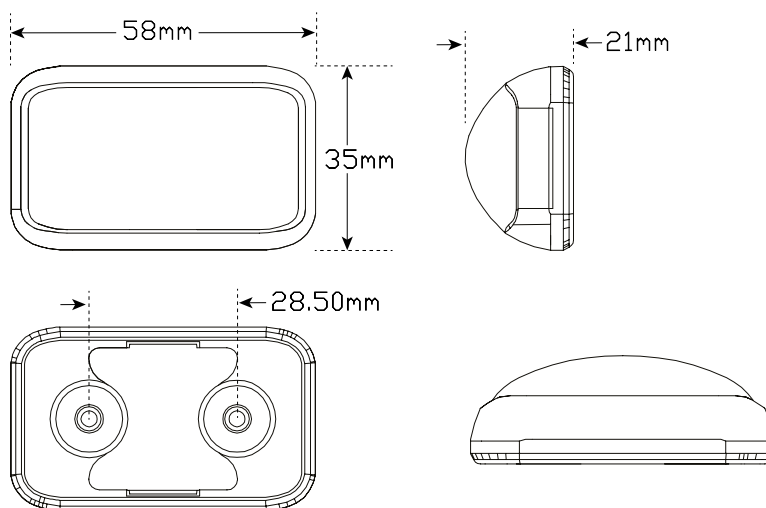


Active

Part Number:
QABP 58ARM - Blister Single



SPECIFICATIONS



Function	Side Marker
Size	58mm x 35mm x 21mm
Voltage	Multivolt 12-24V
LED Qty	2
Cable	40cm cable
Draw	@13.8V @28V 0.10A 0.04A

Approvals	Function	Category	CRN
ADR	Side	45/01	36841

Fitting Instructions

Horizontally mount bracket onto flat surface with screws provided, run wires through back and clip lens into place. Please refer to ADR 13/00 for mounting instructions.

SMALL VEHICLE/TRAILER LAMP

Stop/Tail/Indicator with Reflex Reflector

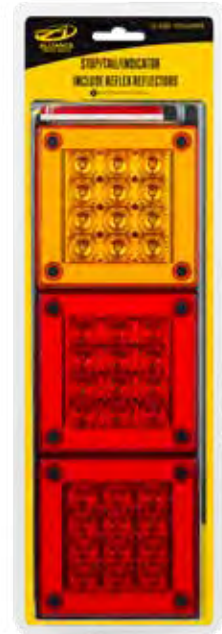
FEATURES

- Mini jumbo design
- Includes red reflector
- IP67 dust & water proof
- ECE approved

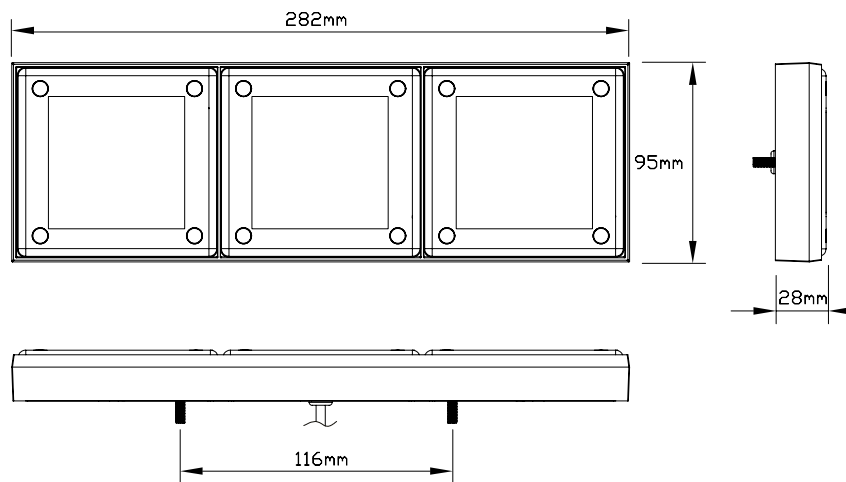


Active

Part Number:
QABP 280ARRM - Blister Single



SPECIFICATIONS



Function	Stop/Tail/Indicator		
Size	282mm x 95mm x 28mm		
Voltage	Multivolt 12-24V		
LED Qty	36		
Cable	1.2m		

Draw	Stop	Tail	Ind
@13.8V	0.30A	0.40A	0.14A
@28V	0.22A	0.06A	0.11A

Approvals	Function	Approval No.
ECE	Stop/Tail	R1-S1-E9-02.11544
ECE	Indicator	2a-E9-01.11545

Fitting Instructions

Surface mount onto flat surface horizontally with stainless steel bolts provided in assembly and run cable through 12mm hole. Please refer to ADR 13/00.

SMALL VEHICLE/TRAILER LAMP

Stop/Tail/Indicator & Reverse with Reflex Reflector

FEATURES

- Mini jumbo design
- Includes red reflector
- IP67 dust & water proof
- ECE approved

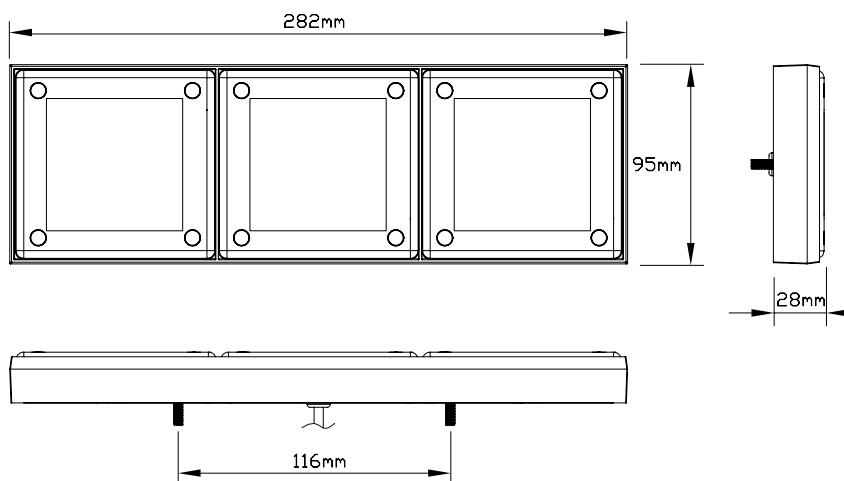


Active

Part Number:
QABP 280ARWM - Blister Single



SPECIFICATIONS



Function	Stop/Tail/Indicator/Reverse			
Size	282mm x 95mm x 28mm			
Voltage	Multivolt 12-24V			
LED Qty	36			
Cable	1.2m			
Draw	Stop	Tail	Indicator	Reverse
@13.8V	0.15A	0.02A	0.14A	0.17A
@28V	0.11A	0.03A	0.11A	0.13A

Fitting Instructions

Surface mount onto flat surface horizontally with stainless steel bolts provided in assembly and run cable through 12mm hole. Please refer to ADR 13/00.

Approvals	Function	Approval No.
ECE	Stop/Tail	R1-S1-E9-02.11544
ECE	Indicator	2a-E9-01.11544
ECE	Reverse	AR-E9-00.1207

SMALL VEHICLE/TRAILER LAMP

Stop/Tail/Indicator with Inbuilt Reflex Reflectors

FEATURES

- Low profile design
- Inbuilt reflectors
- Diamond lens pattern
- IP67 dust & water proof
- ADR approved

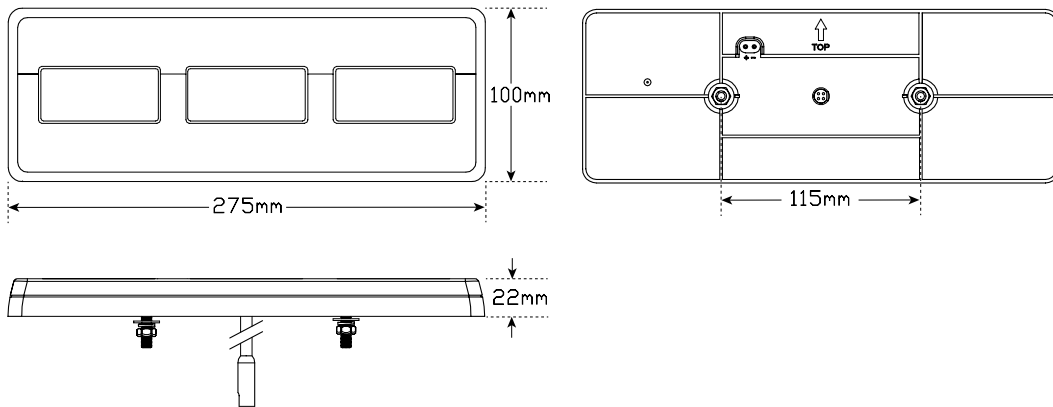


Active

Part Number:
QABP 275ARM - Blister Single



SPECIFICATIONS



Function Stop/Tail/Indicator/Reflector
Size 275mm x 100mm x 22mm
Voltage Multivolt 12-24V
LED Qty 16
Cable 30cm cable with plug

Draw	Stop	Tail	Indicator
@13.8V	0.14A	0.07A	0.10A
@28V	0.11A	0.05A	0.12A

Approvals	Function	Category	CRN
ADR	Stop/Tail	49/00	38658
ADR	Indicator	6/00/2A	38657
ADR	Reflector	47/00	38102

Fitting Instructions

Horizontally mount onto flat surface with Indicator at top using bolts in back of lamp, run wire and plug through 10mm hole in fixing surface. Please refer to ADR 13/00 for mounting instructions.

MEDIUM VEHICLE/TRAILER LAMP

Stop/Tail with Inbuilt Reflex Reflector

FEATURES

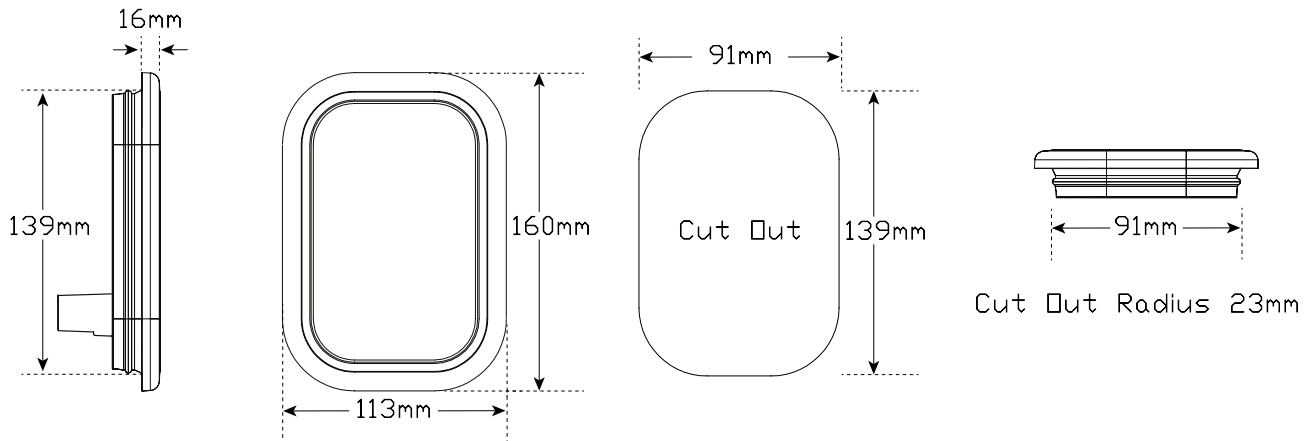
- Low profile popular design
- Includes grommet and plug
- Horizontal or vertical mount
- Recessed mounting
- IP67 dust & water proof
- ADR approved



Part Number:
QABP 130RMG - Blister Single



SPECIFICATIONS



Function	Stop/Tail/Reflector	
Size	160mm x 113mm x 16mm	
Voltage	Multivolt 12-24V	
LED Qty	14	
Cable	Includes plug	
Draw	Stop	Tail
@13.8V	0.23A	0.03A
@28V	0.12A	0.04A

Approvals	Function	Category	CRN
ADR	Stop/Tail	49/00	36844
ADR	Reflector	47/00	38102

Fitting Instructions

Retro fit lamps. If new installation, fit grommet or flange into cutout (cut out 139 x 91mm), plug wire into lamp and run through back then push into grommet/flange. Please refer to ADR 13/00 for mounting instructions.

MEDIUM VEHICLE/TRAILER LAMP

Rear Indicator

FEATURES

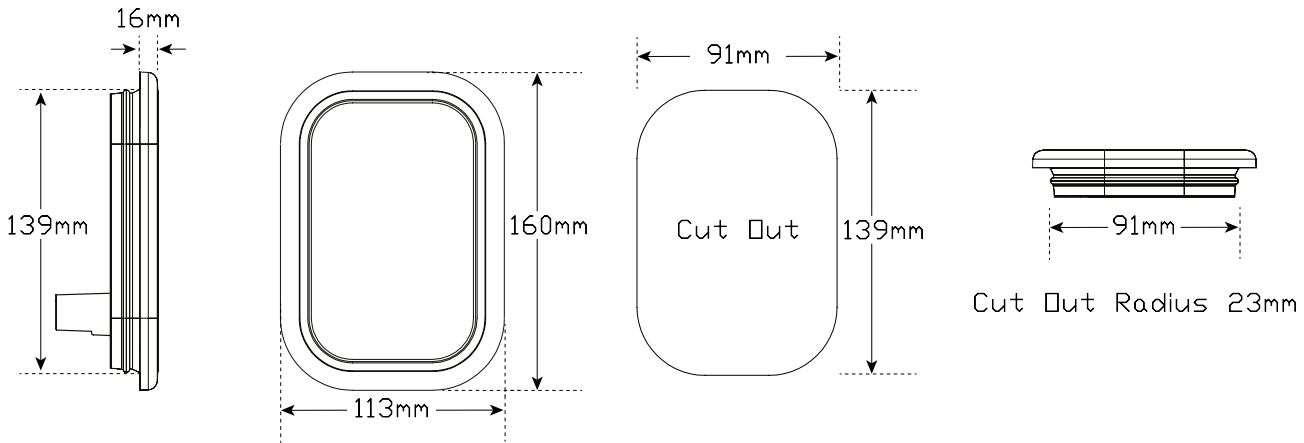
- Includes grommet and plug
- Horizontal or vertical mount
- Recessed mounting
- IP67 dust & water proof
- ADR approved



Part Number:
QABP 130AMG - Blister Single



SPECIFICATIONS



Function	Rear Indicator
Size	160mm x 113mm x 16mm
Voltage	Multivolt 12-24V
LED Qty	14
Cable	Includes plug
Draw	Indicator
@13.8V	0.20A
@28V	0.14A
Approvals	Function Category CRN
ADR	Indicator 6/00/2A 36843

Fitting Instructions

Retro fit lamps. If new installation, fit grommet or flange into cutout (cut out 139 x 91mm), plug wire into lamp and run through back then push into grommet/flange. Please refer to ADR 13/00 for mounting instructions.

MEDIUM VEHICLE/TRAILER LAMP

Reverse

FEATURES

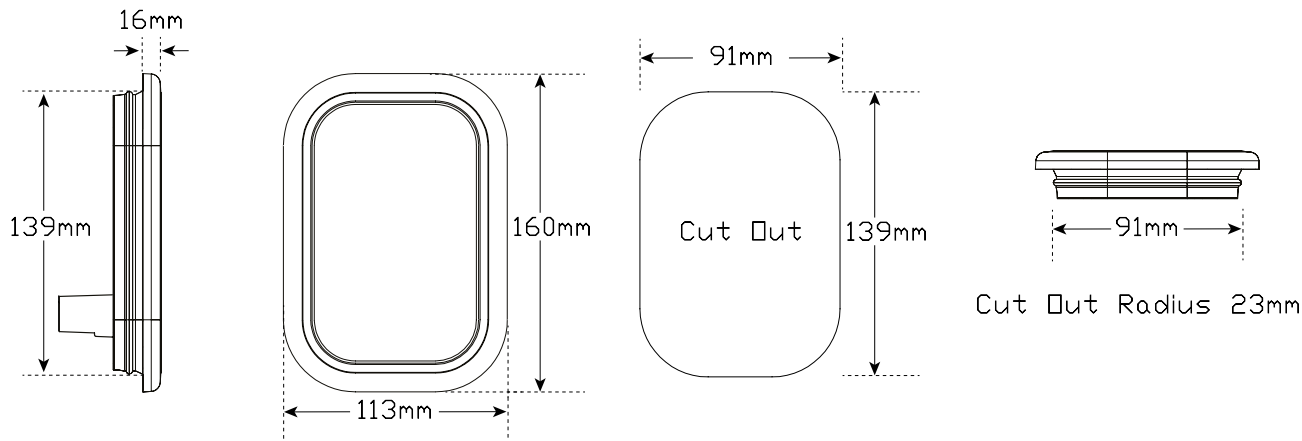
- Includes grommet and plug
- Horizontal or vertical mount
- Recessed mounting
- IP67 dust & water proof
- ADR approved



Part Number:
QABP 130WMG - Blister Single



SPECIFICATIONS



Function	Reverse
Size	160mm x 113mm x 16mm
Voltage	Multivolt 12-24V
LED Qty	32
Cable	Includes plug
Draw	Reverse
@13.8V	0.15A
@28V	0.08A
Approvals	Function Category CRN
ADR	Reverse 1/00 36845

Fitting Instructions

Retro fit lamps. If new installation, fit grommet or flange into cutout (cut out 139 x 91mm), plug wire into lamp and run through back then push into grommet/flange. Please refer to ADR 13/00 for mounting instructions.

MEDIUM VEHICLE/TRAILER LAMP

Stop/Tail/Indicator with Inbuilt Reflex Reflectors

FEATURES

- Mid sized jumbo design
- IP67 dust & water proof
- ECE Approved

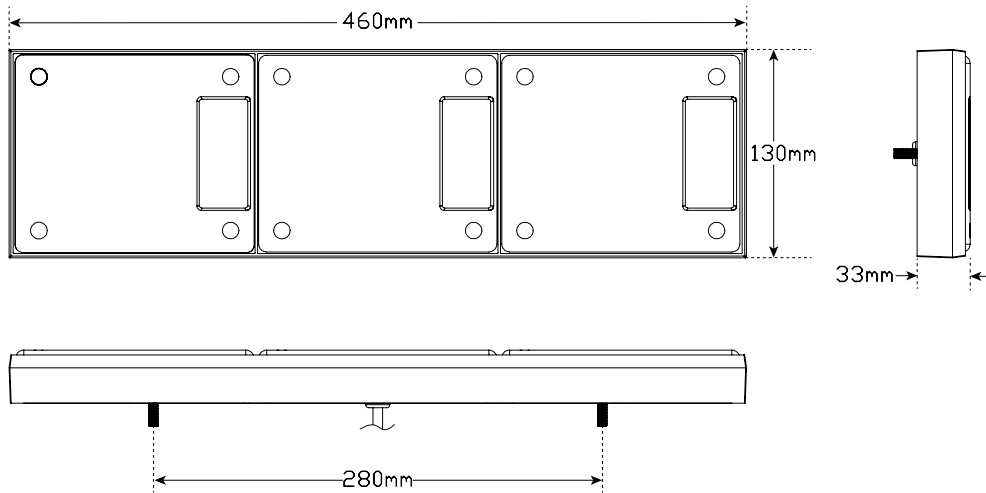


Active

Part Number:
QABP 460ARRM - Blister Single



SPECIFICATIONS



Function Stop/Tail/Indicator/Reflector
Size 460mm x 130mm x 33mm
Voltage Multivolt 12-24V
LED Qty 48
Cable 1.2m

Draw	Stop	Tail	Ind
@13.8V	0.30A	0.02A	0.32A
@28V	0.17A	0.04A	0.18A

Approvals	Function	Category	CRN
ECE	Stop/Tail	O2 R1-S1	11293
ECE	Indicator	O1 2a	6205
ECE	Reflector	O2 1A	1472

Fitting Instructions

Horizontally or vertically mount onto flat surface using bolts in back of lamp, run wire through hole in fixing surface. Please refer to ADR 13/00 for mounting instructions.

MEDIUM VEHICLE/TRAILER LAMP

Stop/Tail/Indicator & Reverse with Inbuilt Reflex Reflectors

FEATURES

- Mid sized jumbo design
- IP67 dust & water proof
- ECE approved

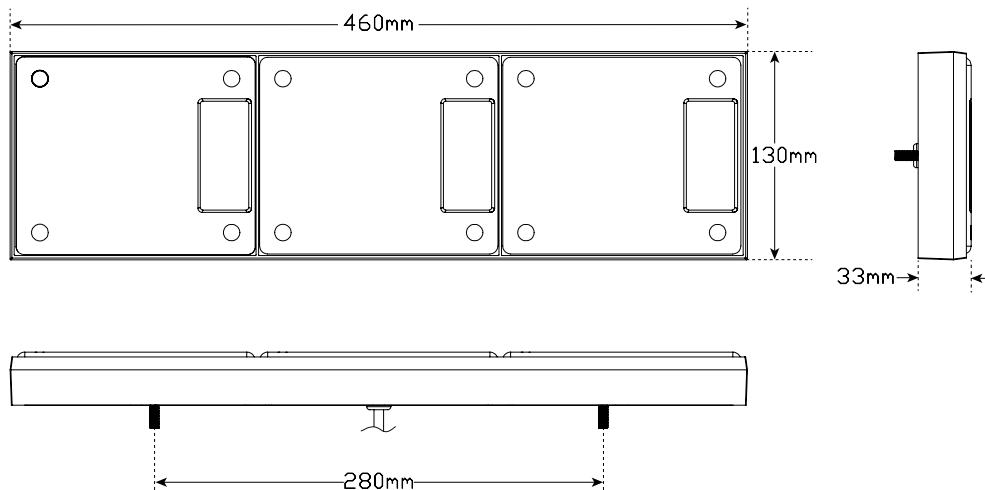


Active

Part Number:
QABP 460ARWM - Blister Single



SPECIFICATIONS



Function	Stop/Tail/Indicator/ Reverse/Reflector			
Size	460mm x 130mm x 33mm			
Voltage	Multivolt 12-24V			
LED Qty	48			
Cable	1.2m			
Draw	Stop	Tail	Ind	Rev
@13.8V	0.30A	0.02A	0.32A	0.19A
@28V	0.17A	0.04A	0.18A	0.12A
Approvals	Function	Category	CRN	
ECE	Stop/Tail	O2 R1-S1	11293	
ECE	Indicator	O1 2a	6205	
ECE	Reverse	00 AR	1208	
ECE	Reflector	O2 1A	1472	

Fitting Instructions

Horizontally or vertically mount onto flat surface using bolts in back of lamp, run wire through hole in fixing surface. Please refer to ADR 13/00 for mounting instructions.

LARGE VEHICLE/TRAILER LAMP

Stop/Tail/Indicator with Inbuilt Reflex Reflectors

FEATURES

- Australia's popular jumbo style
- IP67 dust & water proof
- ADR approved

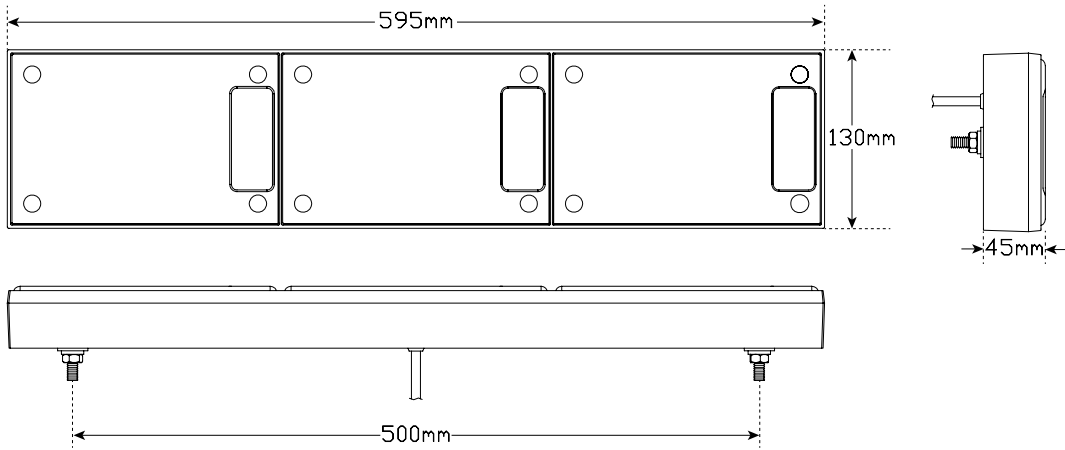


Active

Part Number:
QABP J3BARRM - Blister Single



SPECIFICATIONS



Function	Stop/Tail/Indicator/ Reflector		
Size	595mm x 130mm x 45mm		
Voltage	Multivolt 12-24V		
LED Qty	72		
Cable	1.2m cable		
Draw	Stop	Tail	Ind
@13.8V	0.47A	0.04A	0.42A
@28V	0.27A	0.03A	0.28A
Approvals	Function	Category	CRN
ADR	Stop/Tail	49/00	42965
ADR	Indicator	6/00/2A	42964
ADR	Reflector	47/00	42966

Fitting Instructions

Surface mount onto flat surface horizontally with stainless steel bolts provided in assembly and run cable through 12mm hole. Please refer to ADR 13/00.

LARGE VEHICLE/TRAILER LAMP

Stop/Tail/Indicator & Reverse with Inbuilt Reflex Reflectors

FEATURES

- Australia's popular jumbo style
- IP67 dust & water proof
- ADR approved

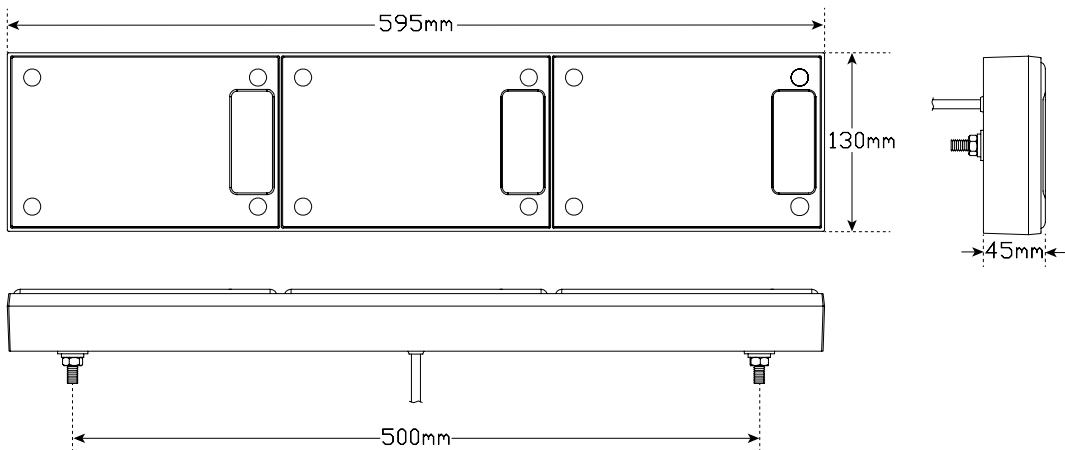


Active

Part Number:
QABP J3BARWM - Blister Single



SPECIFICATIONS



Function	Stop/Tail/Indicator/ Reverse/Reflector			
Size	595mm x 130mm x 45mm			
Voltage	Multivolt 12-24V			
LED Qty	72			
Cable	1.2m cable			
Draw	Stop	Tail	Ind	Rev
@13.8V	0.47A	0.04A	0.42A	0.18A
@28V	0.27A	0.03A	0.28A	0.11A

Approvals	Function	Category	CRN
ADR	Stop/Tail	49/00	42965
ADR	Indicator	6/00/2A	42964
ADR	Reverse	1/00	42967
ADR	Reflector	47/00	42966

Fitting Instructions

Surface mount onto flat surface horizontally with stainless steel bolts provided in assembly and run cable through 12mm hole. Please refer to ADR 13/00.

LICENCE PLATE LAMP

FEATURES

- Original design
- IP67 dust & water proof
- ADR approved

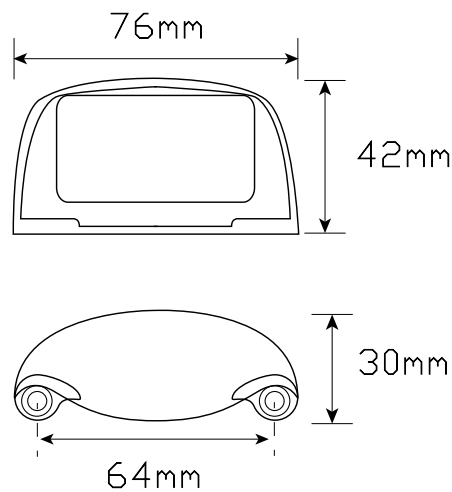


Active

Part Number:
QABP 35BLM - Blister Single



SPECIFICATIONS



Function	Licence Plate Lamp		
Size	76mm x 42mm x 30mm		
Voltage	Multivolt 12-24V		
LED Qty	4		
Cable	40cm cable		
Draw	Licence		
@13.8V	0.04A		
@28V	0.04A		
Approvals	Function	Category	CRN
ADR	Licence	48/00	36280

Fitting Instructions

Fit onto flat surface, 25mm from top centre, long edge of licence plate with lens facing towards the ground. Refer to ADR 13/00 for fitting Instructions.

RED REFLEX REFLECTOR

FEATURES

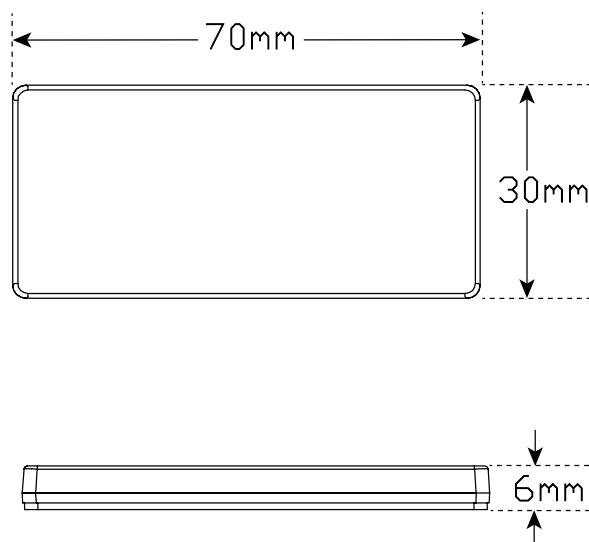
- High quality 3M tape
- Premium quality product
- IP67 dust & water proof
- ADR approved



Part Number:
QABP 7030R - Blister Single



SPECIFICATIONS



Function	Reflex Reflector		
Size	70mm x 30mm x 6mm		
Approvals	Function	Category	CRN
ADR	Red Reflector	47/00	38102

Fitting Instructions

Ensure fitting surface is clean and free of any oil/dirt. Remove tape backing and place onto flat surface, apply firm hand pressure to ensure adhesion. Please refer to ADR 13/00 for mounting instructions.

AMBER REFLEX REFLECTOR

FEATURES

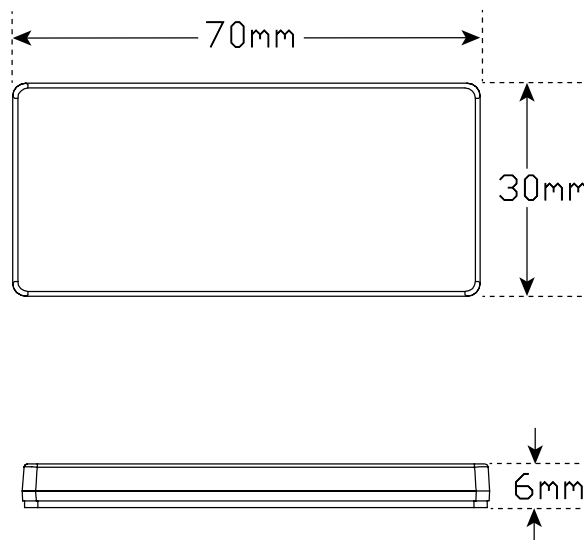
- High quality 3M tape
- Premium quality product
- IP67 dust & water proof
- ADR approved



Part Number:
QABP 7030A - Blister Single



SPECIFICATIONS



Function	Reflex Reflector		
Size	70mm x 30mm x 6mm		
Approvals	Function	Category	CRN
ADR	Amber Reflector	47/00	38101

Fitting Instructions

Ensure fitting surface is clean and free of any oil/dirt. Remove tape backing and place onto flat surface, apply firm hand pressure to ensure adhesion. Please refer to ADR 13/00 for mounting instructions.

WHITE REFLEX REFLECTOR

FEATURES

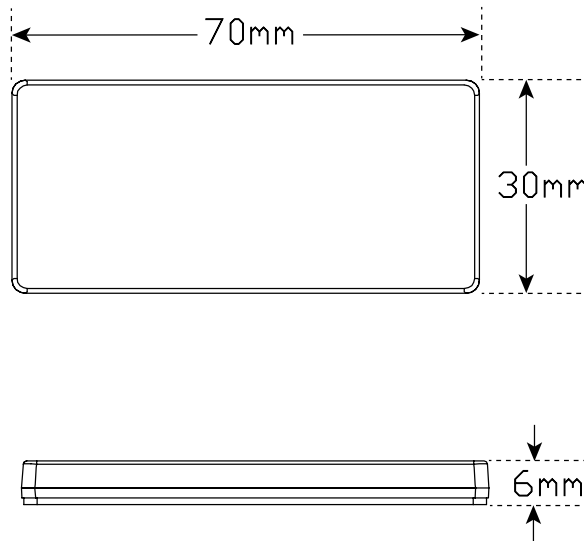
- High quality 3M tape
- Premium quality product
- IP67 dust & water proof
- ADR approved



Part Number:
QABP 7030W - Blister Single



SPECIFICATIONS



Function	Reflex Reflector		
Size	70mm x 30mm x 6mm		
Approvals	Function	Category	CRN
ADR	White Reflector	47/00	38103

Fitting Instructions

Ensure fitting surface is clean and free of any oil/dirt. Remove tape backing and place onto flat surface, apply firm hand pressure to ensure adhesion. Please refer to ADR 13/00 for mounting instructions.

12 VOLT - LOAD RESISTOR

FEATURES

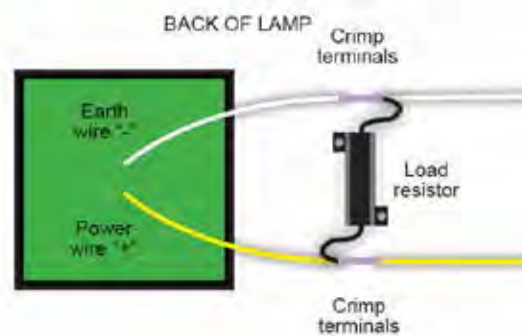
- Designed for late model vehicles that display light failure warning
- Draws the same current as a 21 watt globe
- IP67 dust & water proof



Part Number:
QABP LR122 - 12 Volt, Blister twin pack, 50 watt 6Ω ohms



SPECIFICATIONS



Dummy load resistors designed to draw the same current as a 21 watt globe. They can be used on vehicles that have electronic components that are not LED compatible.

The Resistor should ALWAYS be wired between the input wires of the lamp, NOT the chassis of the vehicle or trailer! If fitted to the Chassis, a bad earth connection is possible, and can result in problems with the lighting system of the vehicle!

Indicator Circuit:

If fitting to the indicator circuit, fit one lead of the resistor to the positive supply side (Yellow wire) and the other lead of the resistor to the negative supply or ground input wire (White).

Brake Circuit:

If fitting to the brake circuit, fit one lead of the resistor to the positive supply side (Red Wire) and the other lead of the resistor to the negative supply or ground input wire (White)

Correct Fitting:

To fit the resistor, use the crimp terminals supplied. Cut the loom and re-connect the cut wires within the supplied crimp terminal with one side of the resistor crimped into that terminal. Repeat the process for the remaining wire and the other end of the resistor. Use the 2 screw down points on the resistor to secure it to a metal chassis.

Important Notice:

Must be mounted on metal surfaces, the resistor can reach up to 170°C, do not mount the resistor on any surface that can be melted by the heat of the resistor, this includes plastics, hoses or painted surfaces.

24 VOLT - LOAD RESISTOR

FEATURES

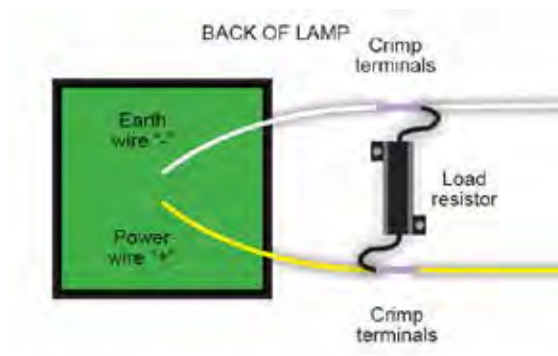
- Designed for late model vehicles that display light failure warning
- Draws the same current as a 21 watt globe
- IP67 dust & water proof



Part Number:
QABP LR242 - 24 Volt, Blister twin pack, 50 watt 24Ω ohms



SPECIFICATIONS



Dummy load resistors designed to draw the same current as a 21 watt globe. They can be used on vehicles that have electronic components that are not LED compatible.

The Resistor should ALWAYS be wired between the input wires of the lamp, NOT the chassis of the vehicle or trailer! If fitted to the Chassis, a bad earth connection is possible, and can result in problems with the lighting system of the vehicle!

Indicator Circuit:

If fitting to the indicator circuit, fit one lead of the resistor to the positive supply side (Yellow wire) and the other lead of the resistor to the negative supply or ground input wire (White).

Brake Circuit:

If fitting to the brake circuit, fit one lead of the resistor to the positive supply side (Red Wire) and the other lead of the resistor to the negative supply or ground input wire (White)

Correct Fitting:

To fit the resistor, use the crimp terminals supplied. Cut the loom and re-connect the cut wires within the supplied crimp terminal with one side of the resistor crimped into that terminal. Repeat the process for the remaining wire and the other end of the resistor. Use the 2 screw down points on the resistor to secure it to a metal chassis.

Important Notice:

Must be mounted on metal surfaces, the resistor can reach up to 170°C, do not mount the resistor on any surface that can be melted by the heat of the resistor, this includes plastics, hoses or painted surfaces.

SAE J845 CLASS 2 - ROTATING BEACON

FEATURES

- Rotating pattern
- IP67 dust & water proof
- Intense 360° visibility
- SAE J845 Class 2

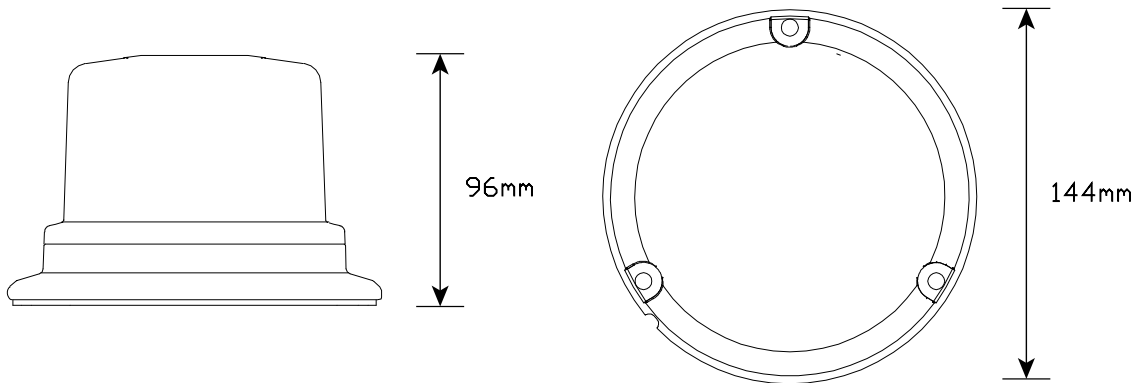


Active

Part Number:
QABP LRB145 - Single Blister



SPECIFICATIONS



Function	Rotating effect medium amber beacon	
Size	144mm round x 96mm	
Voltage	Multivolt 10-30V	
LED Qty	24	
Cable	40cm cable	
Draw	Peak	
@13.8V	0.45A	
@28V	0.22A	
Approvals	Function	Category
SAE	Beacon	SAE J845 Class 2

Fitting Instructions

Run wires through hole in fixing surface or from the side of the base. Attach with screws provided, ensure foam gasket is between lamp and fixing surface.

WARRANTY DETAILS

Alliance Truck Parts are backed by a 1-year/unlimited kilometre standard warranty. Illustrations and photographs used in this catalogue may vary slightly from the actual product. Prototype samples are sometimes used for photography. The production parts may vary slightly. Availability of products shown in this catalogue is subject to change without notice.



— FIND YOUR NEAREST LOCATION AT ALLIANCETRUCKPARTS.COM.AU —



Alliance Trucks Parts are distributed by Daimler Truck and Bus Australia Pacific Pty Ltd. Alliance is a registered trade mark of Daimler Trucks North America LLC.