



**ALLIANCE**  
TRUCK PARTS

# MUDGUARDS, MUDFLAPS & ACCESSORIES



## MUDGUARD PRODUCT FEATURES

Designed and manufactured in Australia for Australia's harsh conditions

- Premium quality that exceeds the trucking industry standards
- UV stabilised
- Chemically resistant
- Made from 100% impact-modified polypropylene
- Single dual with spray suppression ribs and spray skirt track
- Injection moulded from highest quality raw materials
- Available in 650mm & 620mm width
- 30+ years of research, development and testing to provide the industry with what it needs and wants
- 100% Recyclable
- Professional and discreet branding

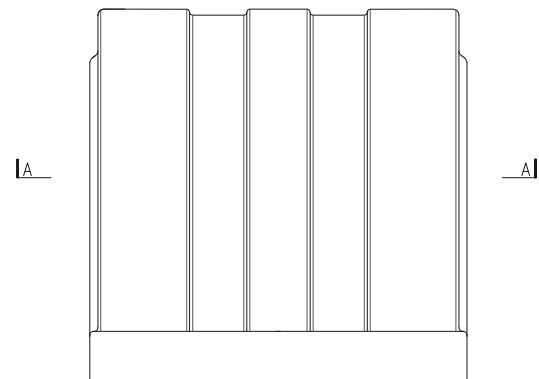
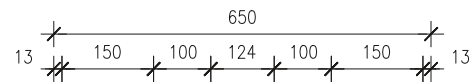


Branding zoomed view

## MUDGUARD SPECIFICATIONS

### 650MM

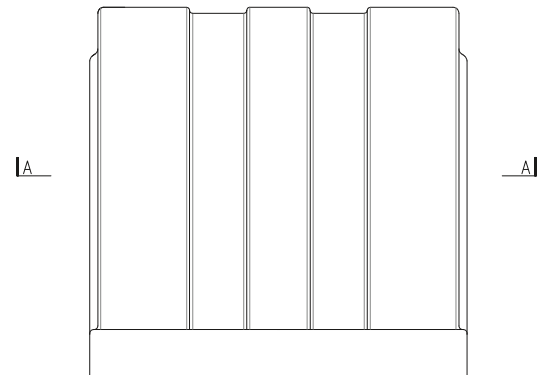
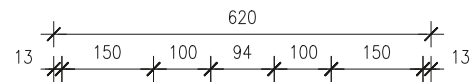
ALLIANCE P/N	DESCRIPTION
QABP MG650DB	Dark Blue
QABP MG650W	White
QABP MG650B	Black
QABP MG650R	Red
QABP MG650AG	Awana Grey
QABP MG650DG	Dark Green



END ELEVATION  
(all dimensions in mm)

### 620MM

ALLIANCE P/N	DESCRIPTION
QABP MG620DB	Dark Blue
QABP MG620W	White
QABP MG620B	Black
QABP MG620R	Red
QABP MG620AG	Awana Grey



END ELEVATION  
(all dimensions in mm)

Illustrations and photographs used in this catalogue may vary slightly from the actual product. Prototype samples are sometimes used for photography. The production parts may vary slightly. Availability of products shown in this catalogue is subject to change without notice.

## AUSTRALIAN MADE, INJECTION MOULDED 700MM WIDE MUDGUARDS

Alliance Truck Parts has introduced the first Australian-made injection moulded 700mm wide truck mudguard. This MG700 guard, which is UV-stabilised for optimum durability in harsh Australian conditions, is perfect for trucks with wider drive tyres.

The internal width of the new MG700 mudguard is an additional 50mm compared to the current MG650. This allows for extra clearance for wider profile tyres and various truck models as required.

The polypropylene guards, which are 100 per cent recyclable, feature ribs on the inside, which provide strength but also help keep down spray.

Alliance Truck Parts also offers mounting bracket kits for the various mudguards.



Branding zoomed view

### FEATURES & BENEFITS

- Designed and manufactured in Australia & represent premium quality
- Unique ribbing adds spray suppression and stability
- The MG700 allows sufficient clearance on the new Actros models to prevent contact with the tyres
- In built track to suit additional brush spray suppression arch
- UV-Stabilised prolongs the life of the guard in harsh Australian conditions
- Made from 100% impact-modified polypropylene and are 100% recyclable
- Available in a range of colours

### MUDGUARD SPECIFICATIONS

ALLIANCE P/N	DESCRIPTION
QABP MG700B	Mudguard Black 700mm
QABP MG700R	Mudguard Red 700mm
QABP MG700W	Mudguard White 700mm
QABP MG700DB	Mudguard Dark Blue 700mm
QABP MG700DG	Mudguard Dark Green 700mm
QABP LK700	Loop Kit includes hardware 330 x 670mm wide.

### LOOP KIT COMPONENTS:

- 1 x 670 x 330mm rubber
- 2 x 670mm length mounting strap
- 10 x nuts
- 10 x washers
- 10 x bolts

### DRESS STRIP - QABP MGSSDS

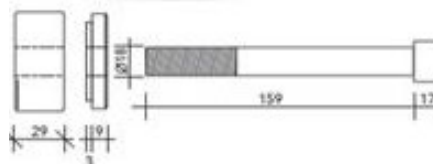
Stainless Steel mudguard, insert to enhance vehicle appearance.

Come in pack of 2. Includes hardware



### SPACER KIT - QABP CMBOSK

Steel spacer used for guard adjustment and bracket stabilisation



### CHASSIS MOUNT BRACKET SPACER - QABP CMBOSS

Black powder coated steel spacer component of the Spacer Kit used for guard adjustment.



### CHASSIS MOUNT BRACKET STEEL END CAP - QABP CMBOSSEC

Zinc plated steel end cap component of the Spacer Kit. Used for guard stabilisation. (The Steel End Cap includes the nut and bolt).



### CHASSIS MOUNTING BRACKET REFLECTOR - QABP REF

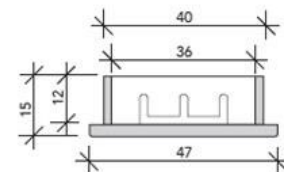
Reflective end-caps designed to suit chassis mounting brackets (product code CMBOS and CMBA) are injection moulded from polycarbonate.

Unique design refracts light and becomes visible when lit by vehicle headlights which increases side-on visibility of trucks and trailers.

Please note: all chassis mounting brackets including CMBOS and CMBA come fitted with reflective end-cap. Replacement reflective end-caps are available.



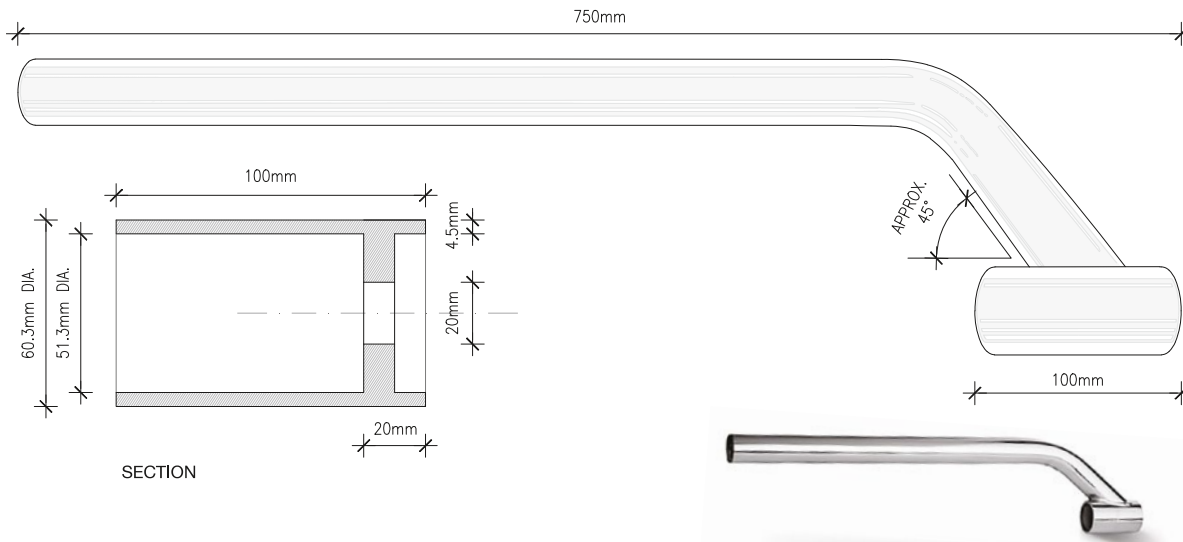
ALLIANCE P/N	DESCRIPTION
QABP MG650DG	Mudguard Dark Green 60mm
QABP MGSSDS	Stainless Steel Dress Strip. 86mm (w) x 1720mm (l) Fits both 620 & 650 & 700. Includes hardware
QABP CMBOSK	Chassis Mount Bracket Off Set - Spacer Kit
QABP CMBOSS	Chassis Mount Bracket Spacer
QABP CMBOSSEC	Chassis Mount Bracket Steel End Cap
QABP REF	Chassis Mounting Bracket Reflector.



## OFFSET CHASSIS MOUNT TUBE

- 4.5mm steel wall
- Single bolt, reinforced mounting
- Fitted with reflector end cap
- Choice of zinc, chrome or powder coated finishes
- Made to a standard, not a price

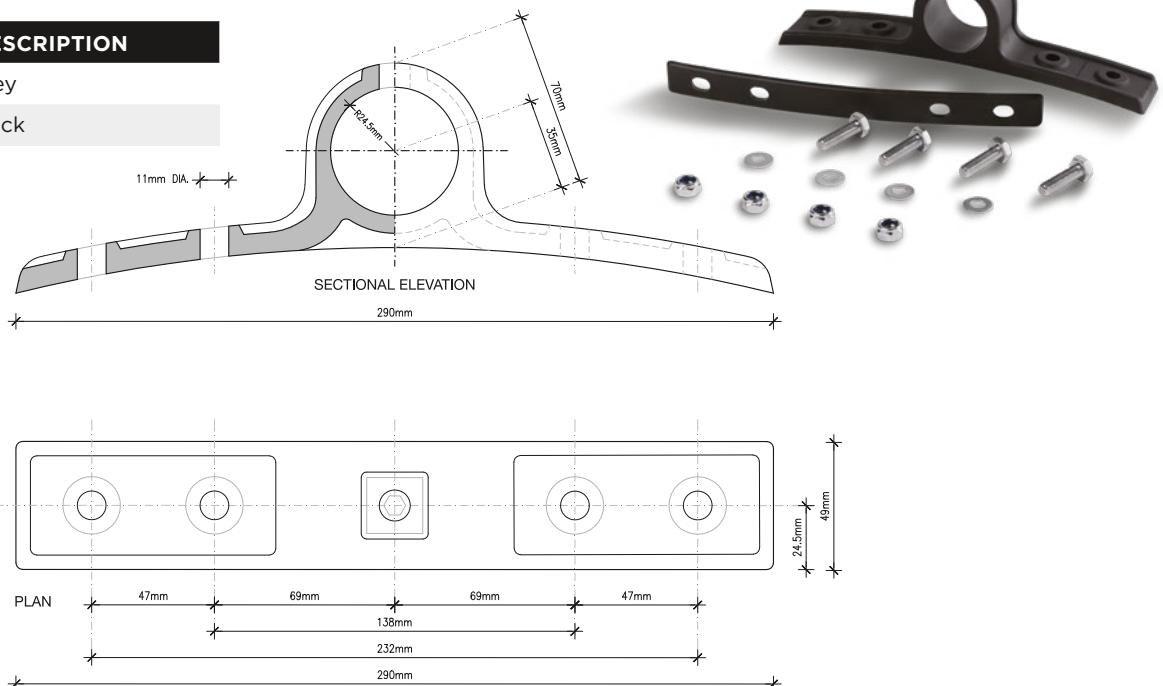
ALLIANCE P/N	DESCRIPTION
QABP CMBOS	Zinc Plated
QABP CMBOSB	Black Powder Coated
QABP CMBOSCHROME	Chrome Plated



## HANGER BRACKET KIT

- Injection moulded from UV stabilised nylon
- Mounting hardware included

ALLIANCE P/N	DESCRIPTION
QABP HB300	Grey
QABP HB300B	Black



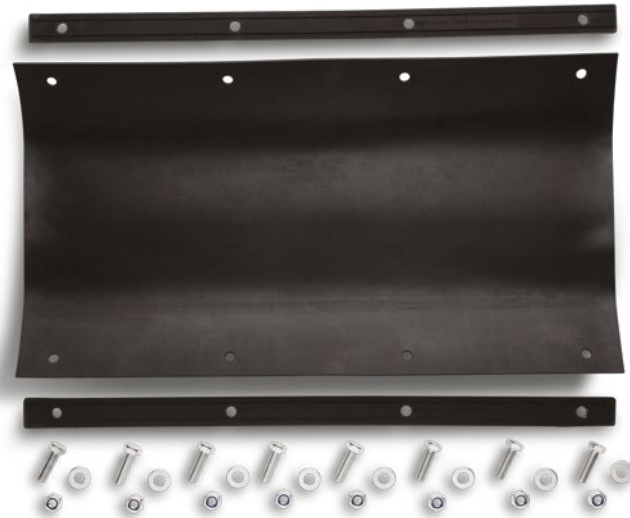
Illustrations and photographs used in this catalogue may vary slightly from the actual product. Prototype samples are sometimes used for photography. The production parts may vary slightly. Availability of products shown in this catalogue is subject to change without notice.



## LOOP KIT

- 1 x Flexible 3mm black rubber flap
- Nylon mounting straps & hardware

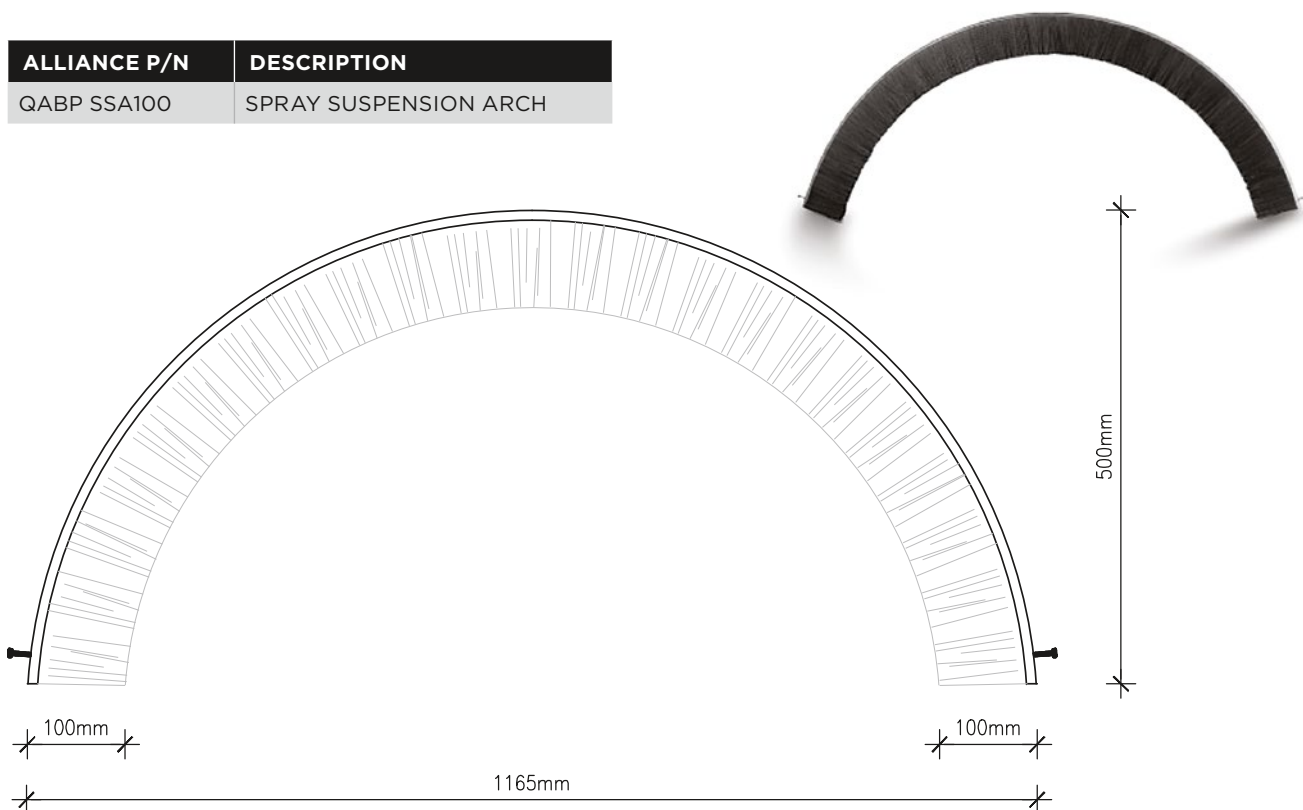
ALLIANCE P/N	DESCRIPTION
QABP LK24	Loop Kit



## ANTI-SPRAY ARCH

- 100mm spray suppression
- Stainless steel carrier
- Arched and ready to be mounted into the track provided in the mudguards

ALLIANCE P/N	DESCRIPTION
QABP SSA100	SPRAY SUSPENSION ARCH



Illustrations and photographs used in this catalogue may vary slightly from the actual product. Prototype samples are sometimes used for photography. The production parts may vary slightly. Availability of products shown in this catalogue is subject to change without notice.

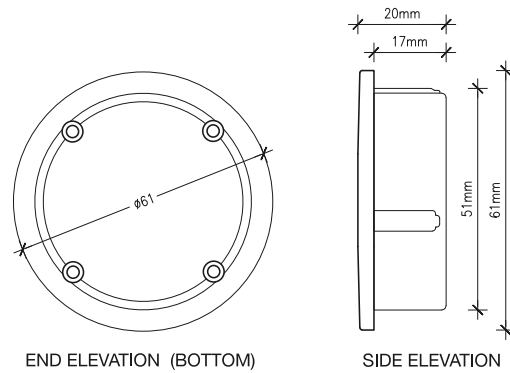
## BOSSCAP

- Injection moulded from 100% polycarbonate
- 100% Recyclable
- Fitting is easy, no glue or screws required - just press them into place

Available as follows:

- BOSSCAP-B:** black boss cap (to suit CMBOS).  
**BOSSCAP-S:** silver boss cap (to suit CMBOS).  
**BOSSCAP-CHROME:** chrome-plated boss cap (to suit CMBOS)

ALLIANCE P/N	DESCRIPTION
QABP BOSSCAPB	BOSS CAP BLACK
QABP BOSSCAPCHROM	BOSS CAP CHROME
QABP BOSSCAPS	BOSS CAP SILVER



## MONOGRAMMED MUDFLAPS

- Alliance Truck Parts mudflaps are injection moulded from UV-stabilised, flexible vinyl compound
- The border and logo are raised and printed in selected colours
- Logos and designs can be reproduced

ALLIANCE P/N	DESCRIPTION
QABP 1324	PLAIN MUDFLAP 330 X 605MM (13" X 24")
QABP 1524	PLAIN MUDFLAP 385 X 605MM (15" X 24")
QABP 1524AS	AS MUDFLAP 385 X 605MM (15" X 24")
QABP 1824	PLAIN MUDFLAP 455 X 605MM (18" X 24")
QABP 1824AS	AS MUDFLAP 455 X 605MM (18" X 24")
QABP 2424	PLAIN MUDFLAP 605 X 605MM (24" X 24")
QABP 2424AS	AS MUDFLAP 605 X 605MM (24" X 24")
QABP 3024	PLAIN MUDFLAP 760X 605MM (30" X 24")
QABP 3024AS	AS MUDFLAP 760X 605MM (30" X 24")

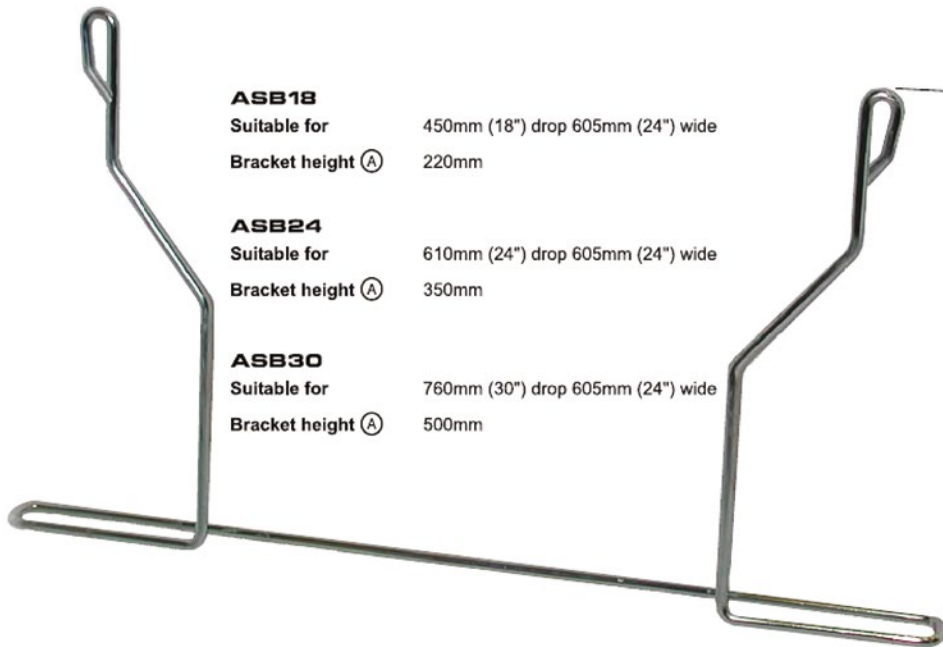


Branding zoomed view

## MUDFLAP ANTI-SAIL BRACKET

- Zinc-plated 8mm steel construction
- Suitable for mudflaps of width 605mm (24") including anti spray
- Comes with simple 2 bolt mounting
- All Anti-Sail brackets come in packs of 10

ALLIANCE P/N	DESCRIPTION
QABP ASB18	ANTI SAIL BRACKET , SUITS 18"X 24" MUDFLAP
QABP ASB24	ANTI SAIL BRACKET , SUITS 24"X 24" MUDFLAP

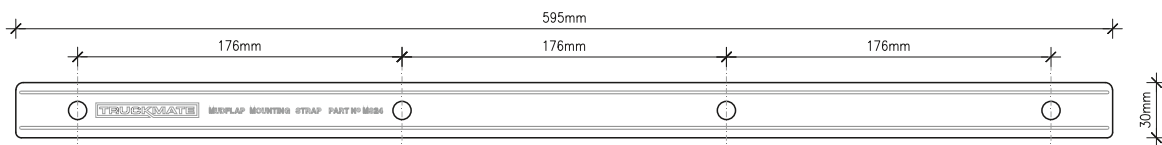


## MUDFLAP

- Injection moulded from tough, UV-stabilised black nylon
- Comes in packs of 10

ALLIANCE P/N	DESCRIPTION
QABP MS24	MOUNTING STRAP 24"

MS18, 22, 24  
Thickness: 5.6mm  
Holes: 10mm DIA.





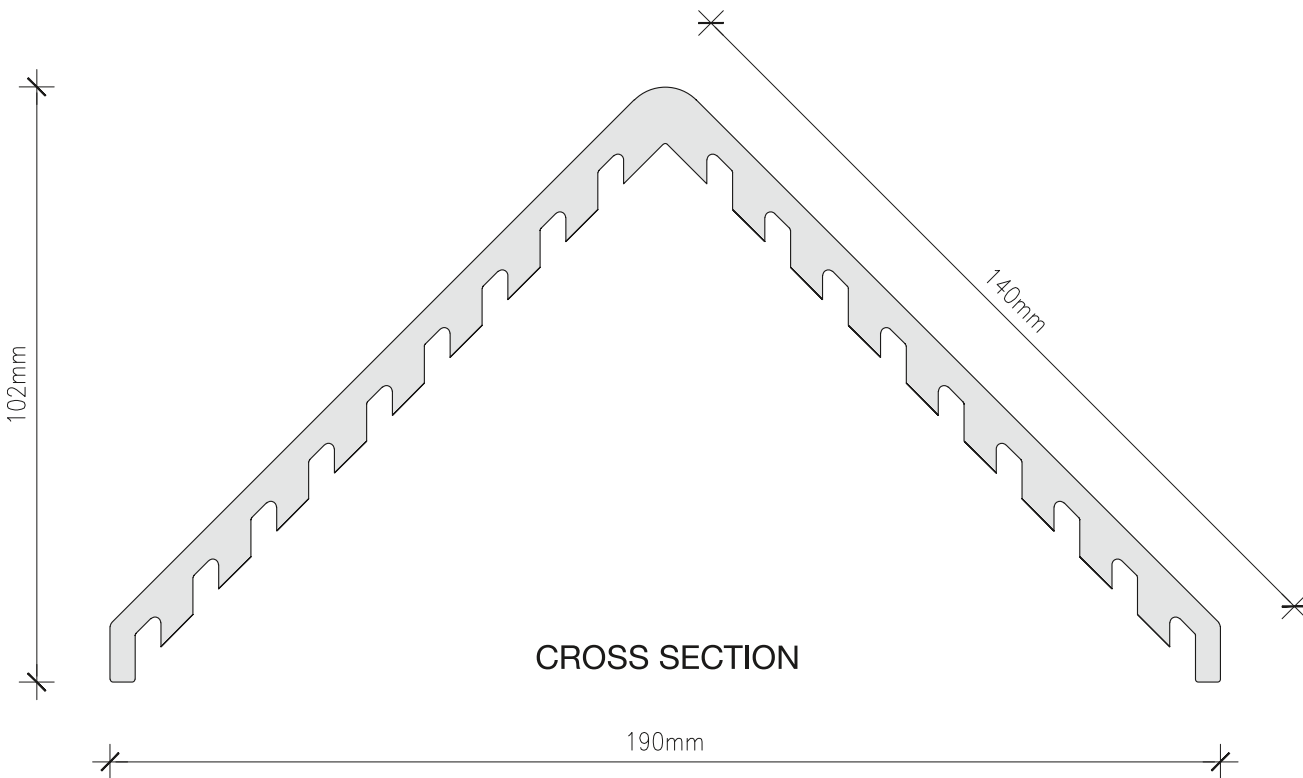
## LOAD ANGLE

- A tough product designed for the rigours of the industry
- Injection moulded from high quality, impact-modified polypropylene
- UV stabilised - suitable for Australia's extreme conditions

The load angle was designed to answer the industry's constant call for a product that was:

- ✓ Tough
- ✓ Effective
- ✓ Competitively priced
- ✓ Australian made

ALLIANCE P/N	DESCRIPTION
QABP LA1050	LOAD ANGLE 1050MM X 140MM





————— FIND YOUR NEAREST LOCATION AT [ALLIANCETRUCKPARTS.COM.AU](http://ALLIANCETRUCKPARTS.COM.AU) —————



Alliance Trucks Parts are distributed by Daimler Truck and Bus Australia Pacific Pty Ltd. Alliance is a registered trade mark of Daimler Trucks North America LLC.